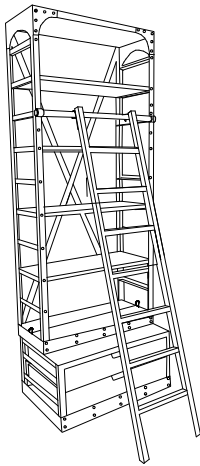


Thank you for purchasing the **VELOCITY BOOKSHELF!**

Before you start, here is some helpful advice:

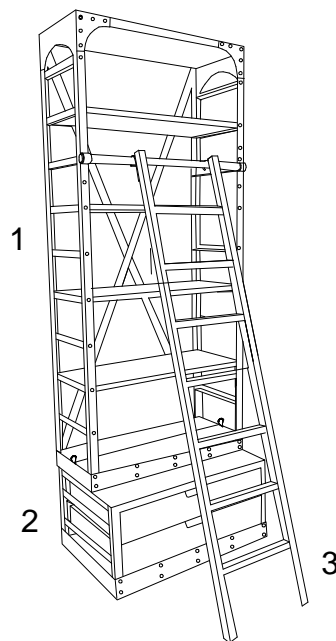
1. We suggest you spend a short time reading through this leaflet and then follow the simple step by step instructions.
2. Owing to the size and weight of the table, we recommend that it is assembled by two adults, on a carpeted or padded area, in the room that it is intended for. Approximate assembly time: 30 minutes.
3. Please do not use any tools other than those provided or recommended in these instructions.
4. Please do not throw away any of the packaging or instructions until you have checked all the components and hardware and the furniture is fully assembled.
5. Assemble all components loosely until advised to tighten. Depending on use, it may be necessary to tighten the components from time to time, so please save the tools that have been provided.
6. Please keep all pieces out of reach of small children.



### Hardware:

A  Screw x4

### Component:



1 Top Shelf x1

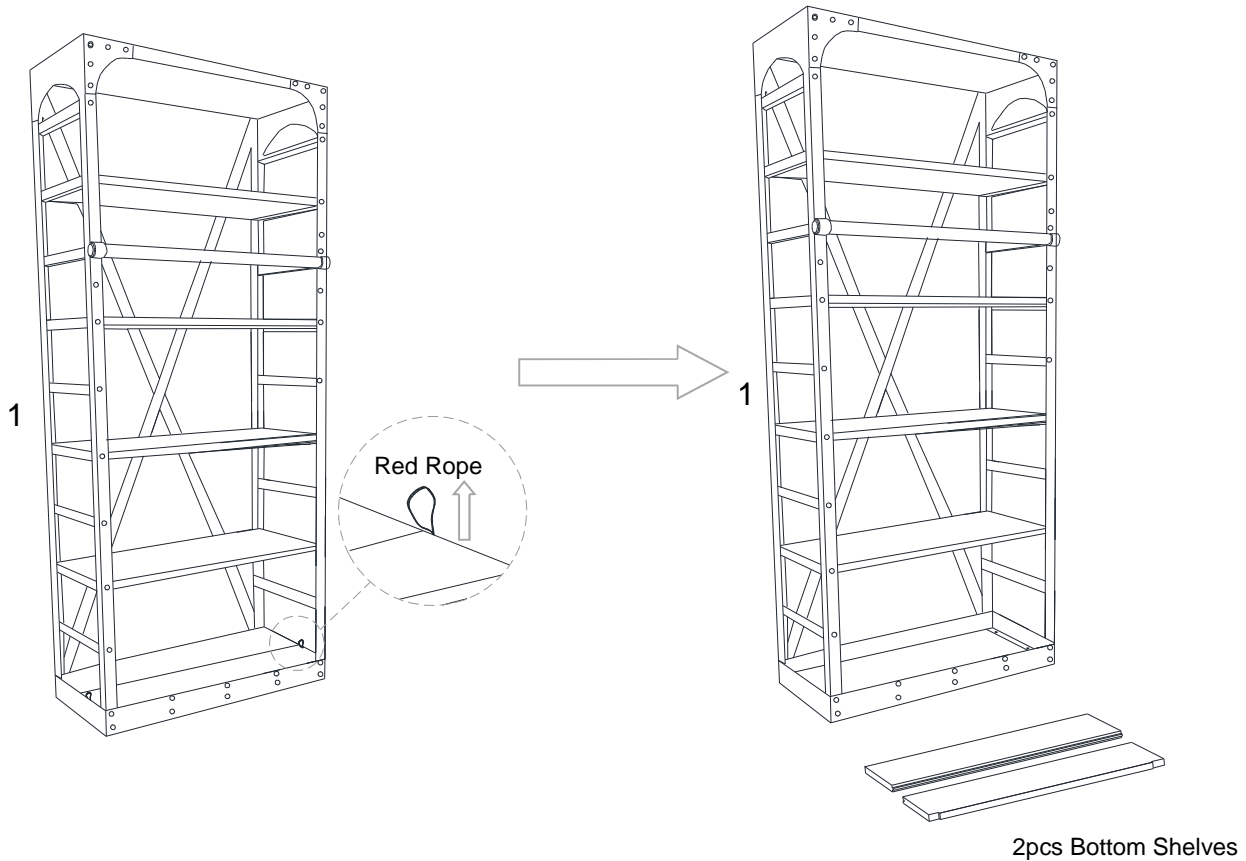
2 Base x1

3 Ladder x1

## STEP 1:

Please put the **Top Shelf (1)** on a carpeted or padded surface.

Pull out the **Red Rope** on the bottom shelf to take out the bottom shelves as shown.

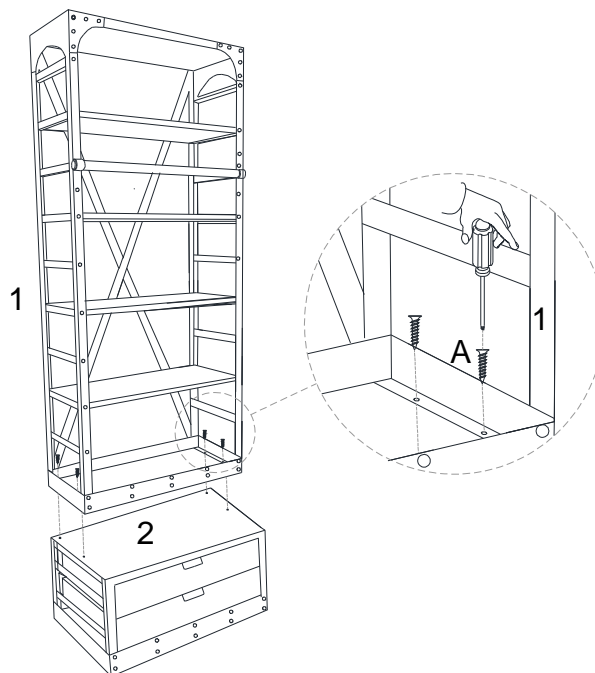




## STEP 2:

Place the **Base (2)** directly underneath the **Top Shelf (1)**.

Attach the **Top Shelf (1)** to the top of **Base (2)** by using 4 pcs **Screws (A)**.

Use **Phillips Head Screwdriver** (not included) to tighten **Screws (A)** clockwise until secure.

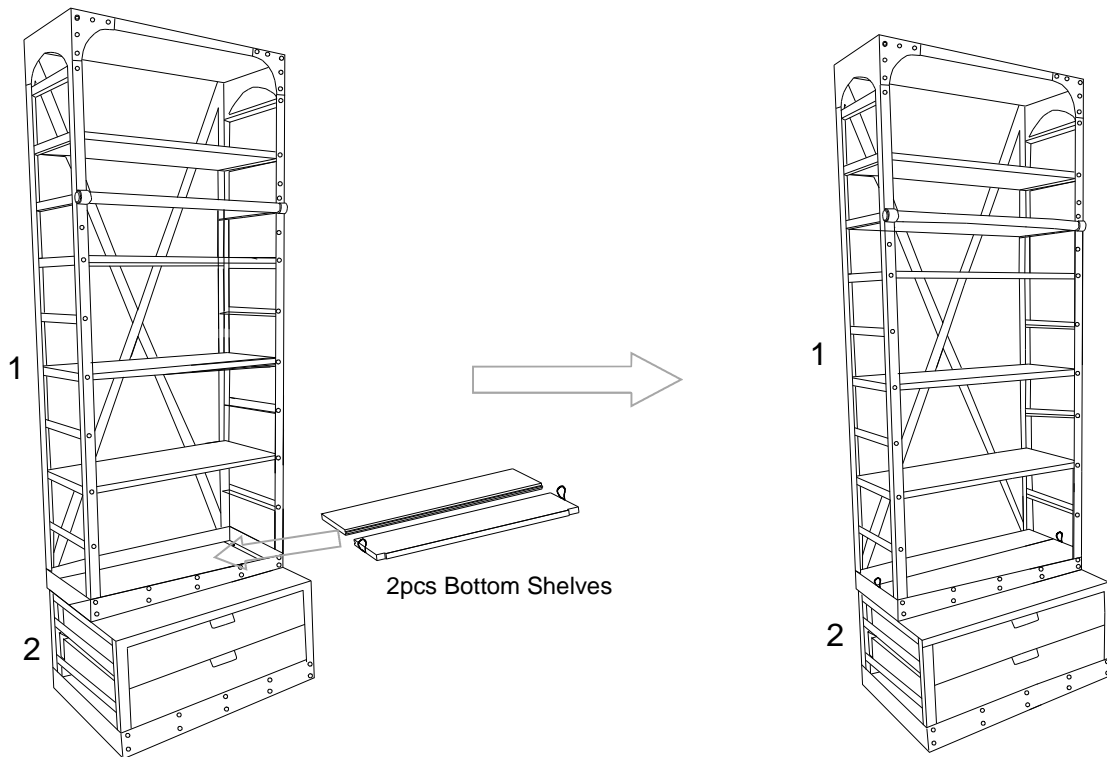


	
<p>Ax4</p>	<p>Phillips Head Screwdriver (not included)</p>

Hardware & Tool required

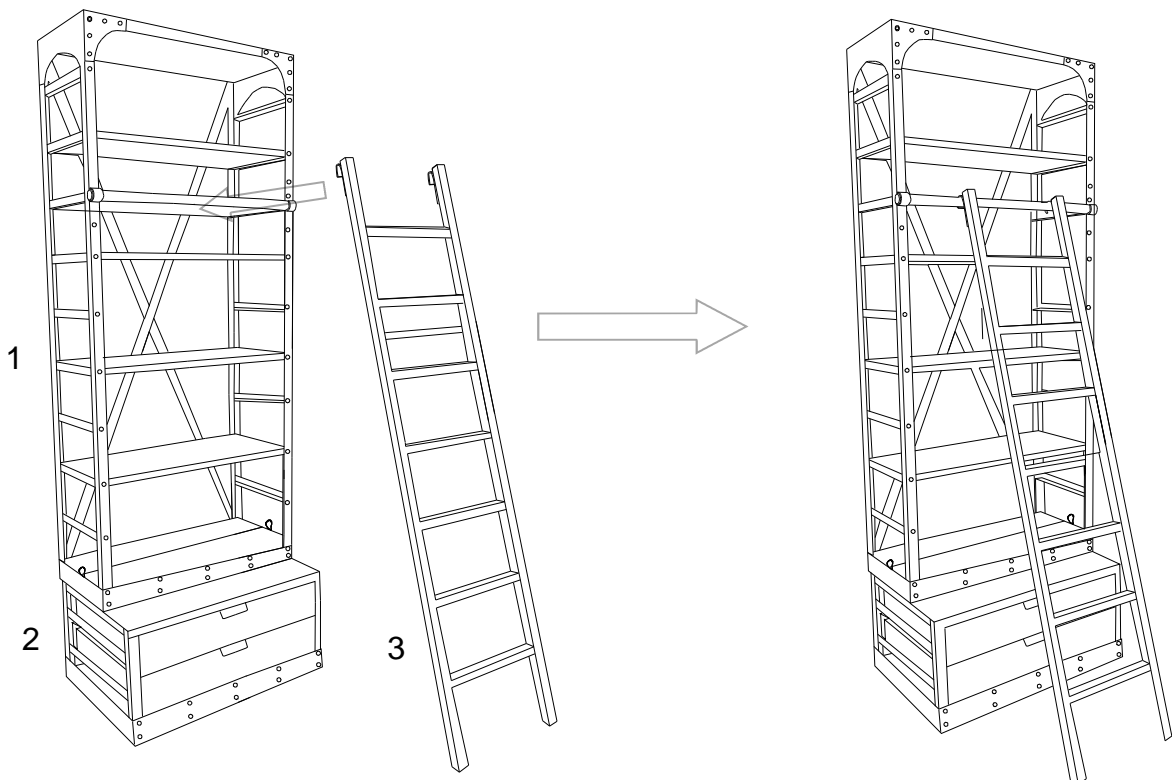
## STEP 3:

Return the 2pcs Bottom Shelves to the **Top Shelf (1)** as shown.  
It is suggested to leave Red Rope visible for future use.



## STEP 4:

Attach the **Ladder (3)** to the **Top Shelf (1)** as shown.



Assembly is completed. The bookshelf is ready to enjoy now!