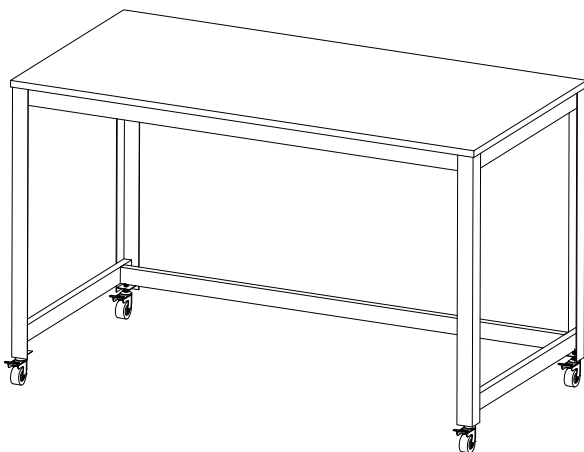


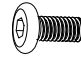

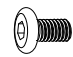



Thank you for purchasing the **MODWAY DESK!**

Before you start, here is some helpful advice:

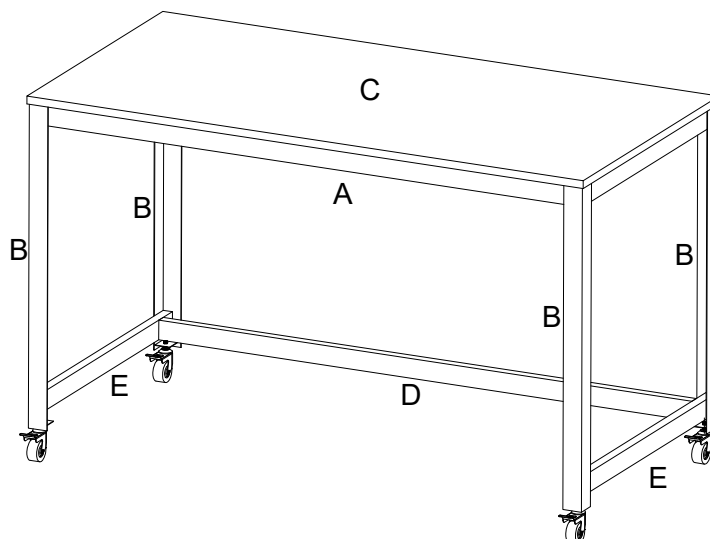
1. We suggest you spend a short time reading through this leaflet and then follow the simple step-by-step instructions.
2. Owing to the size and weight of the desk, we recommend that it is assembled by two adults, on a carpeted or padded area, in the room that it is intended for. Approximate assembly time: 30 minutes.
3. Please do not use any tools other than those provided or recommended in these instructions.
4. Please do not throw away any of the packaging or the instruction until you have checked all the components and hardware and the furniture is fully assembled. Please ensure that the packaging is disposed of in a safe and environmentally friendly way.
5. Assemble all components loosely until advised to tighten. Depending on use, it may be necessary to tighten the components from time to time, so please save the tools that have been provided.
6. Please keep all fitting out of reach of children.



Hardware:

1		Short Bolt I M6x15mm	x12
2		Long Bolt M6x40mm	x4
3		Short Bolt II M6x12mm	x4
4		Medium Bolt M6x20mm	x4
5		Castor	x4
6		Allen Wrench M4	x1

Component:



A	Top Frame	x1	B	Leg	x4	C	Desk Top	x1
D	Back Rail	x1	E	Side Rail	x2			

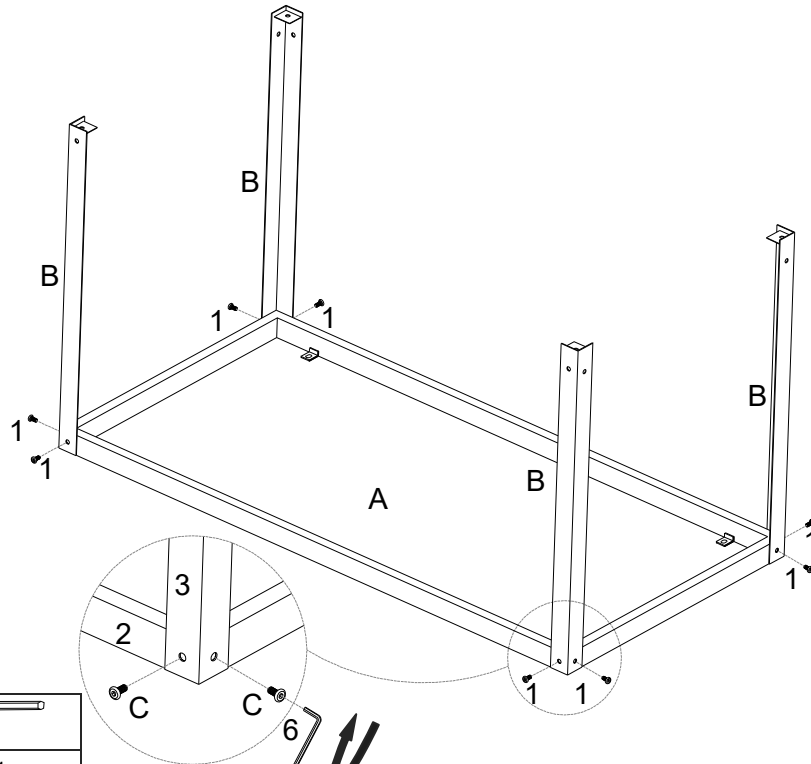
STEP 1:

Put **Top Frame (A)** upside down on a carpeted or padded surface.

Place 4 pieces of **Leg (B)** to **Top Frame (A)** as shown.

Insert 8 pieces of **Short Bolt I (1)** into the pre-drilled holes on **Top Frame (A)** through the pre-drilled holes on **Legs (B)**.

Use **Allen Wrench (6)** to tighten **Short Bolts I (1)**. Do not fully tighten **Short Bolts I (1)** at this step.



1x8	6x1

Hardware & Tools required

STEP 2:

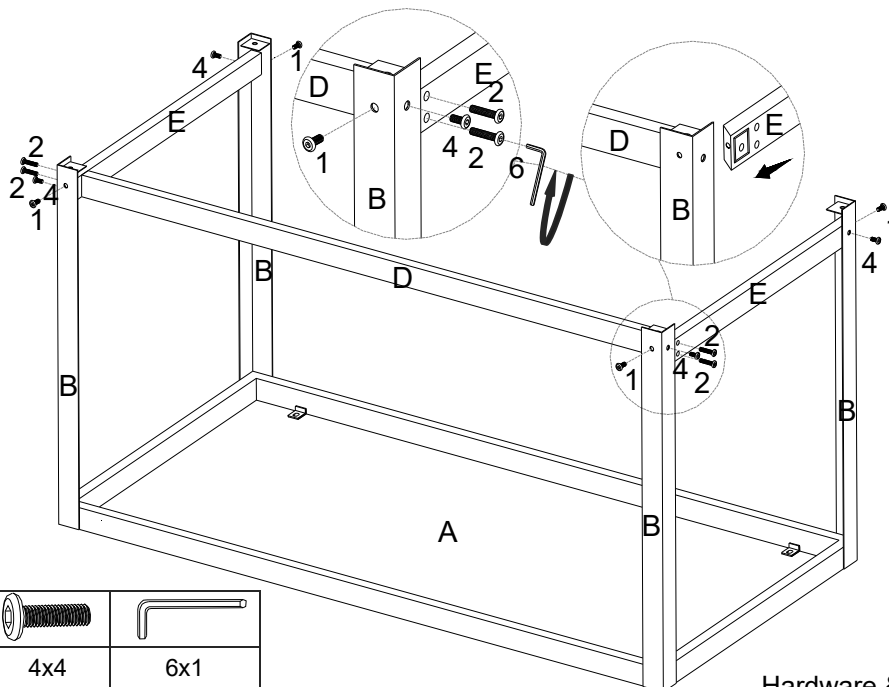
Put **Bottom Rails (E)** and **Back Rail (D)** to the assembled **Top Frame (A)** and **Legs (B)** as shown.

Insert 4 pieces of **Long Bolt (2)** into the pre-drilled holes on **Back Rail (D)** through the pre-drilled holes on **Bottom Rail (E)**.

Insert 4 pieces of **Medium Bolt (4)** into the pre-drilled holes on **Side Rails (E)** and **Back Rail (D)** through the pre-drilled holes on **Legs (B)**.

Insert 4 pieces of **Short Bolt I (1)** into the pre-drilled holes on **Side Rails (E)** and **Back Rail (D)** through the pre-drilled holes on **Legs (B)**.

Use **Allen Wrench (6)** to tighten all the **Bolts (1&2&4)**. Do not fully tighten all the **Bolts (1&2&4)** at this step.

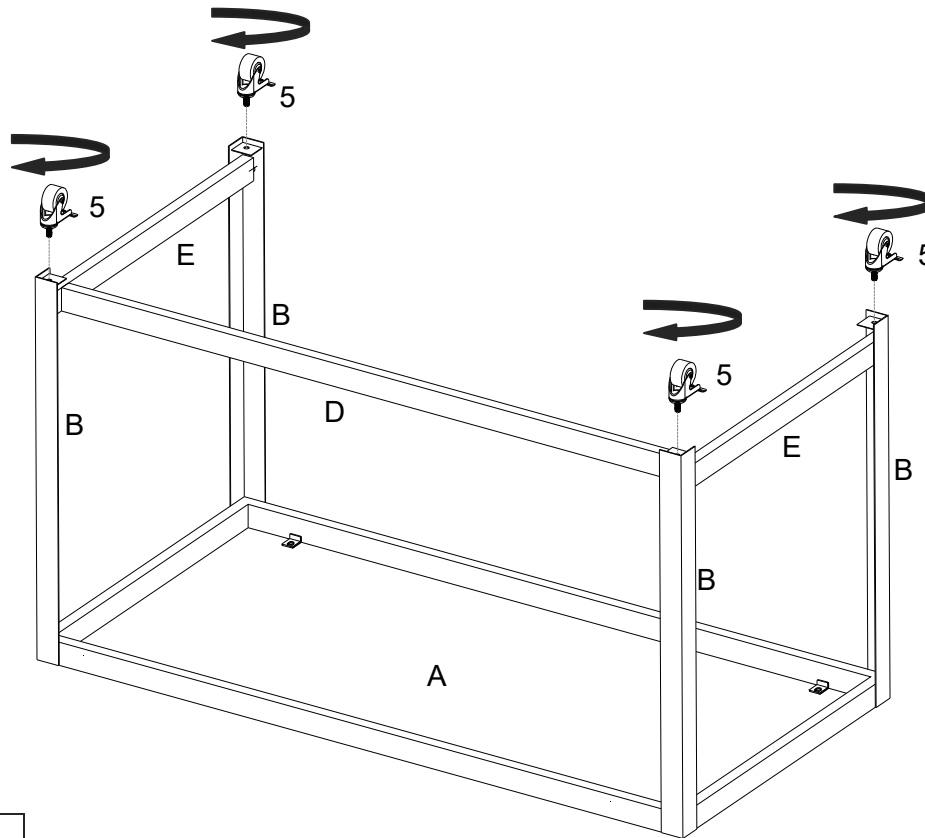



1x4	2x4	4x4	6x1

Hardware & Tools required

STEP 3:

Tighten 4 pieces of **Castor (5)** into the bottom of assembled **Legs (B)** by hand clockwise until secure as shown.




5x4

Hardware & Tools required

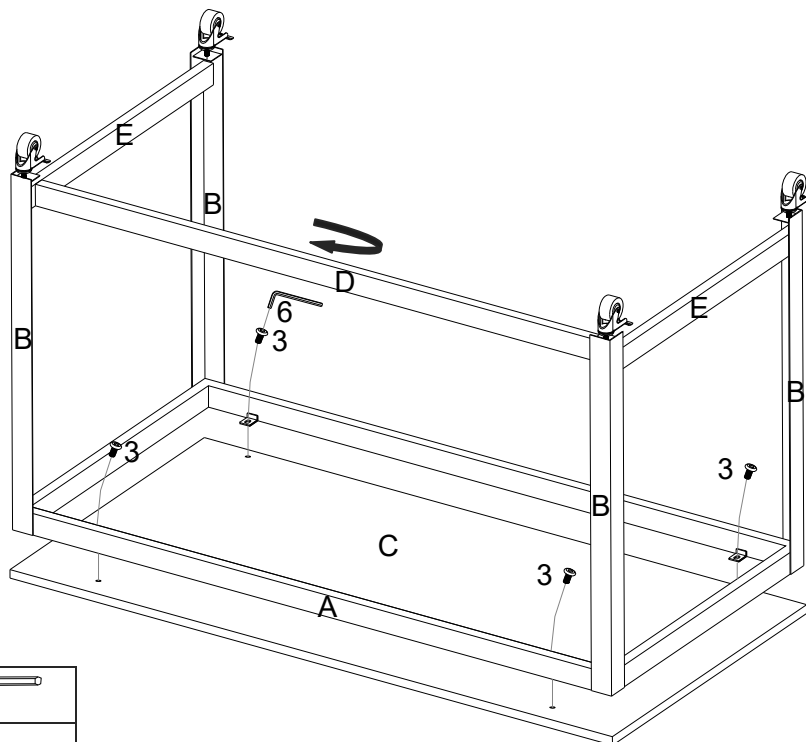
STEP 4:

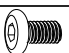

Put **Desk Top (C)** upside down on a carpeted or padded surface.

Place the assembled **Top Frame (A)**, **Legs (B)**, **Side Rail (E)**, and **Back Rail (D)** to **Desk Top (C)** as shown.

Insert 4 pieces of **Short Bolt II (3)** into the pre-drilled holes on **Desk Top (C)** through the pre-drilled holes on **Top Frame (A)**.

Use **Allen Wrench (6)** to tighten all the **Bolts (1&2&3&4)** clockwise until secure at this step.

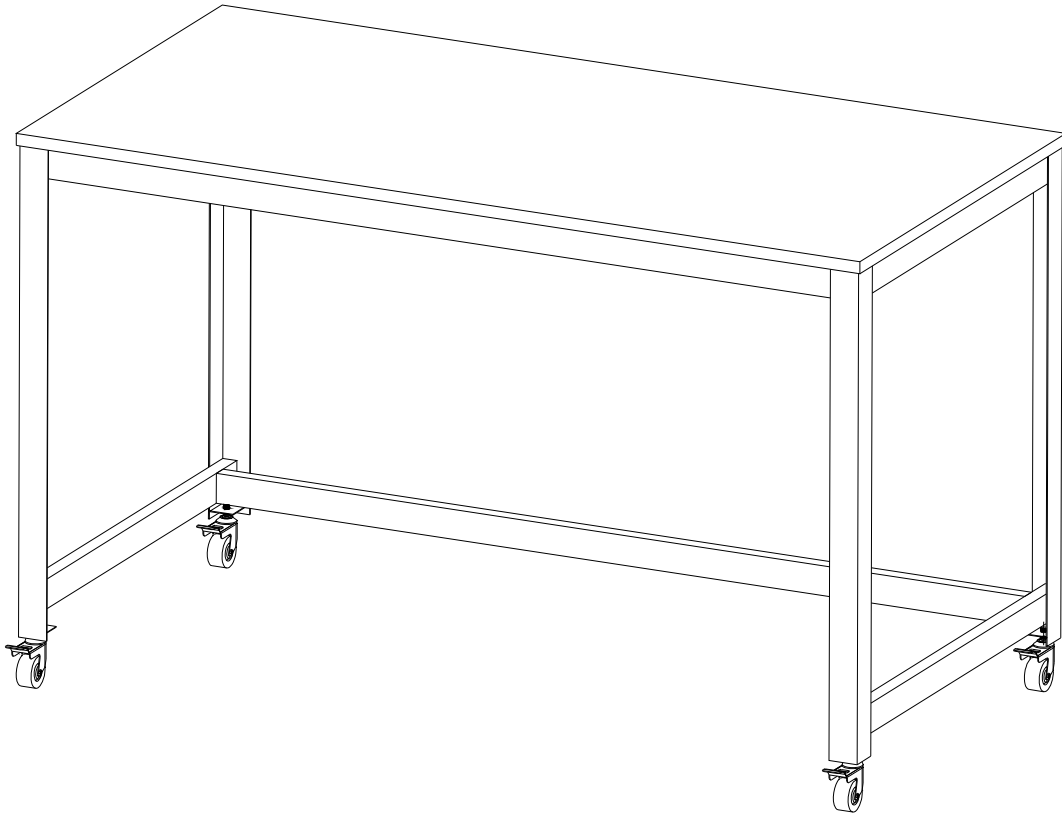


	
3x4	6x1

Hardware & Tools required

STEP 5:

Carefully turn over the assembled desk.



Assembly is complete. Your desk is ready to be used now!