





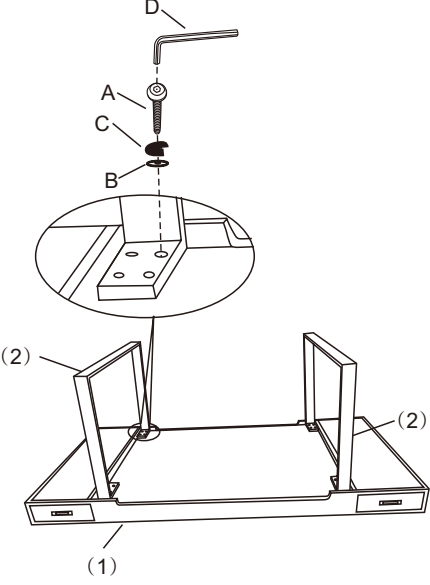
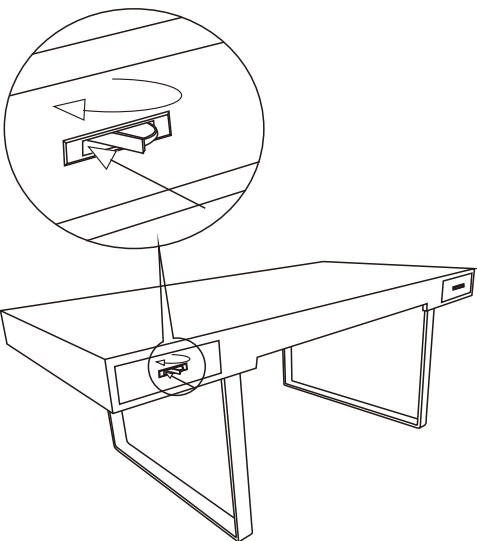








(1) table top	(2) base		
	 X2		
<p>(3) Hardware:</p> <p>unit:mm</p> <p>A.  X16(M8*60mm)</p> <p>B.  X16(Φ8*17mm)</p> <p>C.  X16(Φ8mm)</p> <p>D.  X1(5mm)</p>			

(1) table top	(2) base		
	 X2		
<p>(3) Hardware:</p> <p>unit:mm</p> <p>A.  X16(M8*60mm)</p> <p>B.  X16(Φ8*17mm)</p> <p>C.  X16(Φ8mm)</p> <p>D.  X1(5mm)</p>		