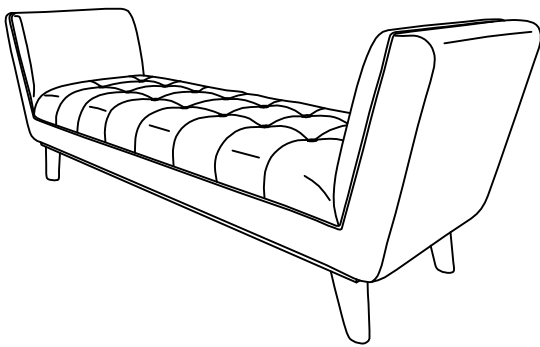


EEI - 3002 / 3003 BENCH






Thank you for purchasing the MODWAY BENCH!

Before you start, here is some helpful advice:

1. We suggest you spend a short time reading through this leaflet and then follow the simple step by step instructions.
2. Owing to the size and weight of the bench, we recommend that it is assembled by two adults, on a carpeted or padded area, in the room that it is intended for. Approximate assembly time: 15 minutes.
3. Please do not use any tools other than those provided or recommended in these instructions.
4. Please do not throw away any of the packaging or instructions until you have checked all the components and hardware and the furniture is fully assembled.
5. Assemble all components loosely until advised to tighten. Depending on use, it may be necessary to tighten the components from time to time, so please save the tools that have been provided.
6. Please keep all pieces out of reach of small children.

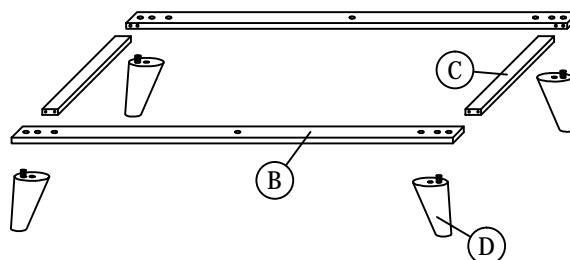
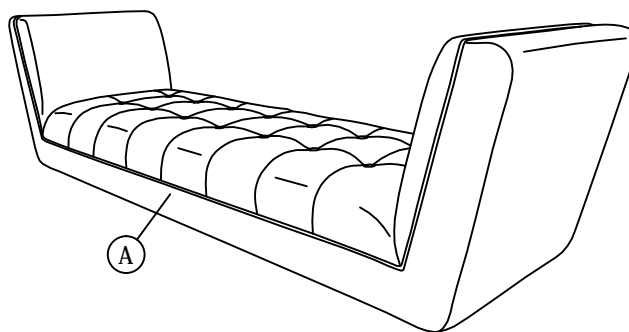


Hardware:

1		JCBC BOLT M6 x 40	10 PCS
2		WOOD DOWEL M8 X 30mm	8 PCS
3		FLAT WASHER M6	6 PCS
4		SPRING WASHER M6	6 PCS
5		ALLEN KEY (BALL SHAPE) M4	1 PC

Component:

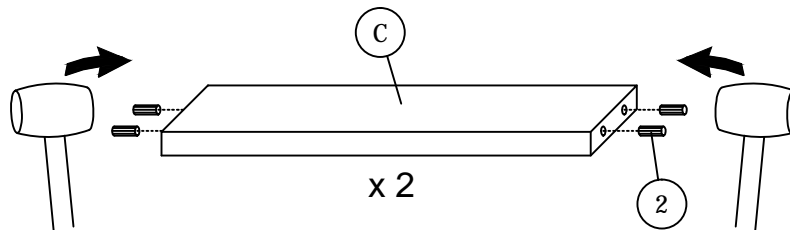
A.	BENCH	x 1
B.	FRONT & BACK RAIL	x 2
C.	SIDE RAIL	x 2
D.	LEG	x 4



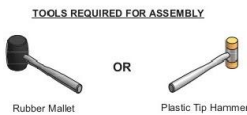
EEI - 3002 / 3003 BENCH

STEP 1

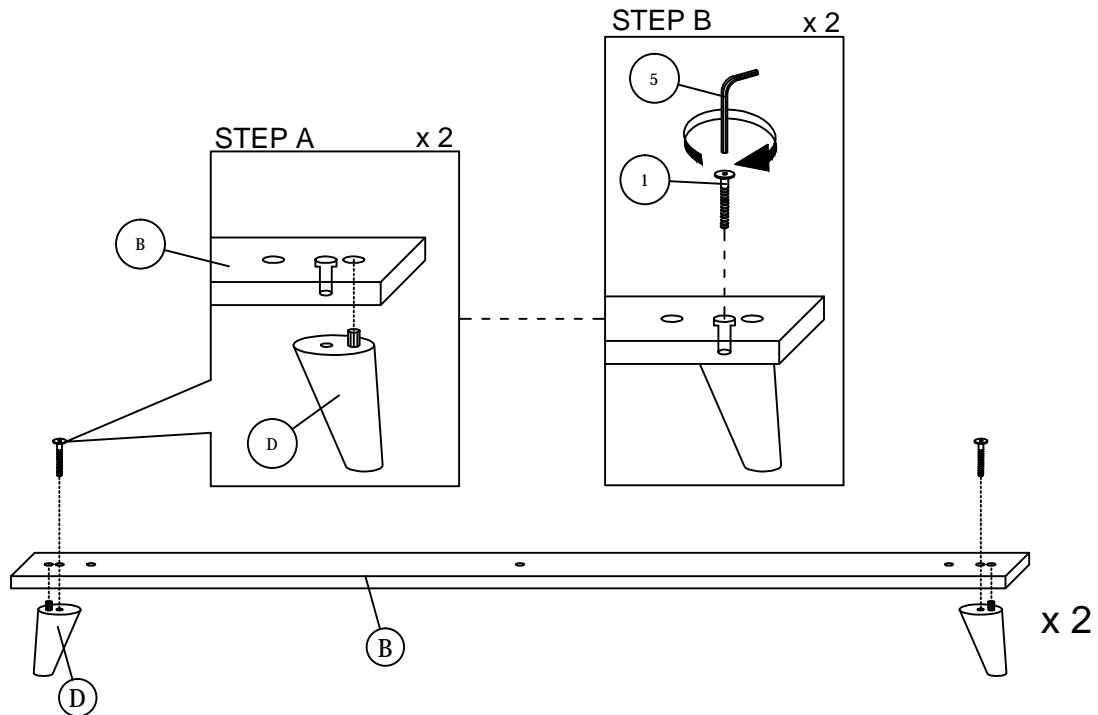
1.1 Fit wood dowels (2) into SIDE RAIL (L&R) (C).



2. WOOD DOWEL M8 x 30mm x 8pcs



1.2 Insert and secure the leg (D) to the front & back rail (B) using hardware parts 1 and 5.

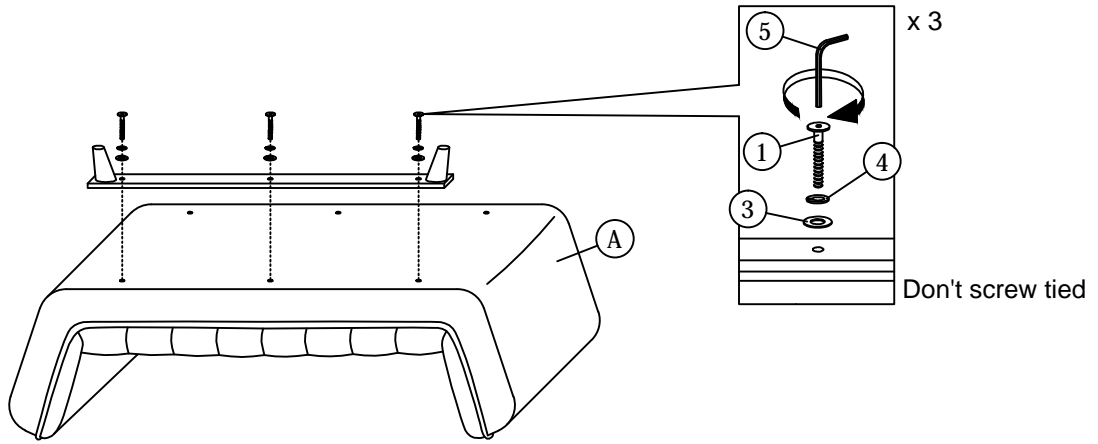


1. JCBC BOLT M6 x 40 x 2pcs	5. ALLEN KEY (BALL SHAPE) M4 x 1pc

EEI - 3002 / 3003 BENCH

STEP 2

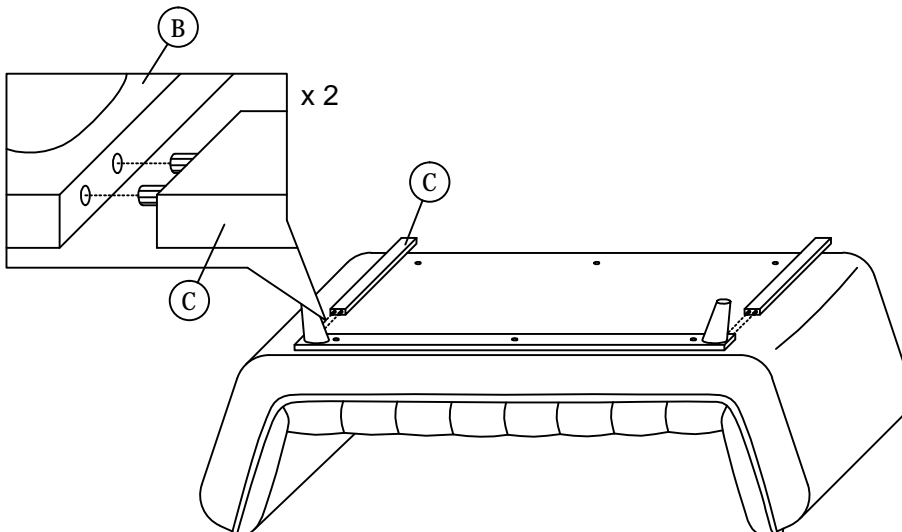
2.1 Insert and secure the front rail (B) to the bench (A) using hardware parts 1,3,4 and 5.
(Note : Don't screw tied).



1. JBWC BOLT M6 x 40 x 3pcs	4. SPRING WASHER M6 x 3pcs	3. FLAT WASHER M6 x 3pcs	5. ALLEN KEY (BALL SHAPE) M4 x 1pc

STEP 3

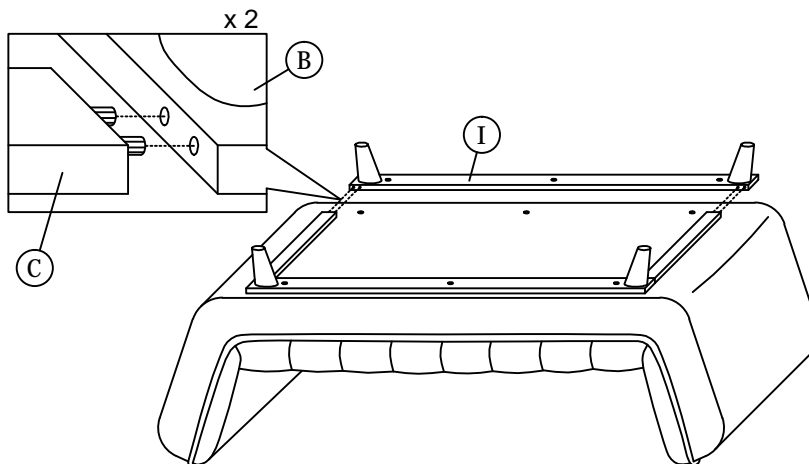
3.1 Insert and secure the front leg (I) to the side rail (C) .Repeat the same for other side of rail.



EEI - 3002 / 3003 BENCH

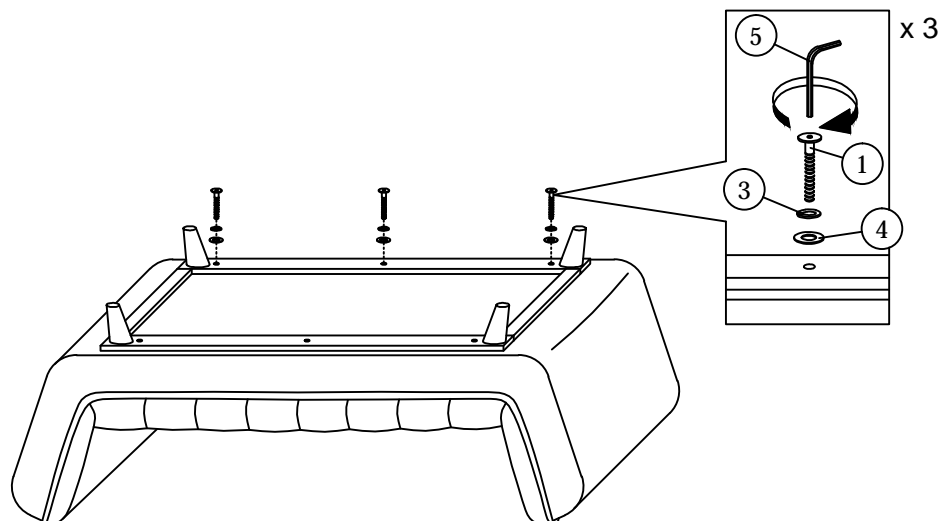
STEP 4

4.1 Insert and secure the back rail (I) to the side rail (C) .Repeat the same for other side of rail.



STEP 5

5.1 Insert and secure the front rail (B) to the bench (A) using hardware parts 1,3,4 and 5. **(Finish step 4, Please screw tied the step 2 bolt)**

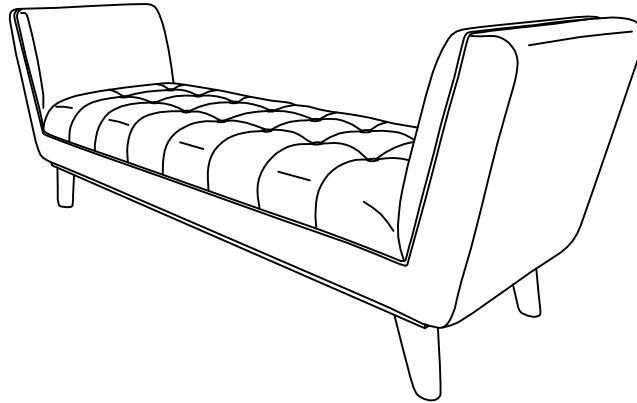


1. JBBC BOLT M6 x 40 x 3pcs	4. SPRING WASHER M6 x 3pcs	3. FLAT WASHER M6 x 3pcs	5. ALLEN KEY (BALL SHAPE) M4 x 1pc

EEI - 3002 / 3003 BENCH

STEP 6

Carefully turn over the bench.



Assembly is complete. The bed is ready to use now!

NOTE: Hardware may loosen over time. Periodically check that all connections are tight.