

EEI-3061 BENCH

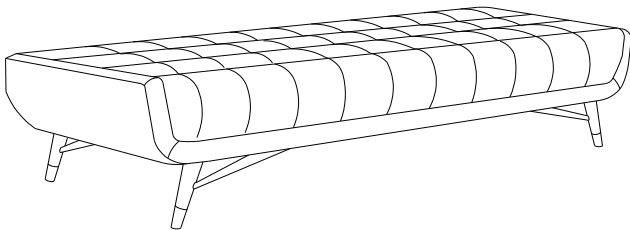


Thank you for purchasing the **MODWAY BENCH**.

Before you start, here are some helpful advice:

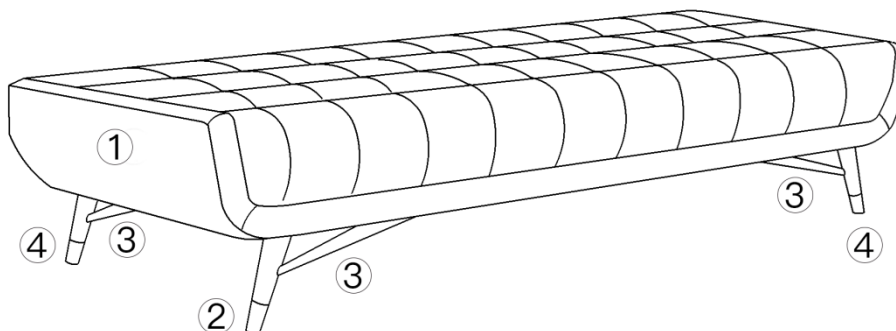
1. We suggest you spend a short time reading through this leaflet and then follow the simple step-by-step instructions.
2. Owing to the size and weight of the bench, we recommend that it is assembled by two adults, on a carpeted or padded area, in the room that it is intended for. Approximate assembly time: 20 minutes.
3. Please do not use any tools other than those provided or recommended in these instructions.
4. Please do not throw away any of the packaging or the instruction until you have checked all the components and hardware and the furniture is fully assembled. Please ensure that the packaging is disposed of in a safe and environmentally friendly way.
5. Assemble all components loosely until advised to tighten. Depending on use, it may be necessary to tighten the components from time to time, so please save the tools that have been provided.
6. Please keep all fitting out of reach of children.

Hardware:



- | | | | |
|----|--|---------------|------|
| A. | | Bolt M8x 65mm | x 8 |
| B. | | Bolt M8x 45mm | x 4 |
| C. | | Spring Washer | x 12 |
| D. | | Flat Washer | x 12 |
| E. | | Allen Wrench | x1 |

Components:



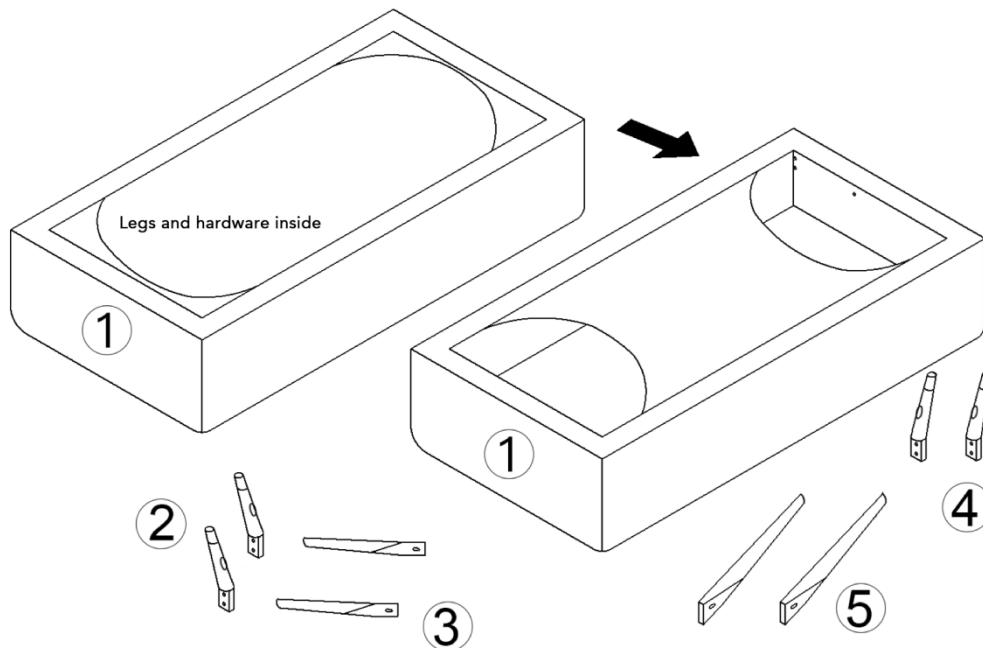
- 1 Bench Body x1 2 Leg x 2 3 Leg stretcher x 4 4 Leg x2

EEI-3061 BENCH

STEP 1:

Please put **Bench Body (1)** on a carpeted or padded surface.

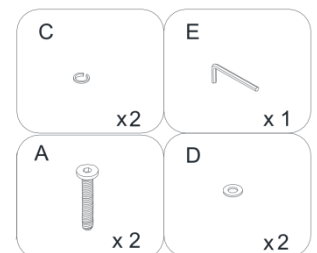
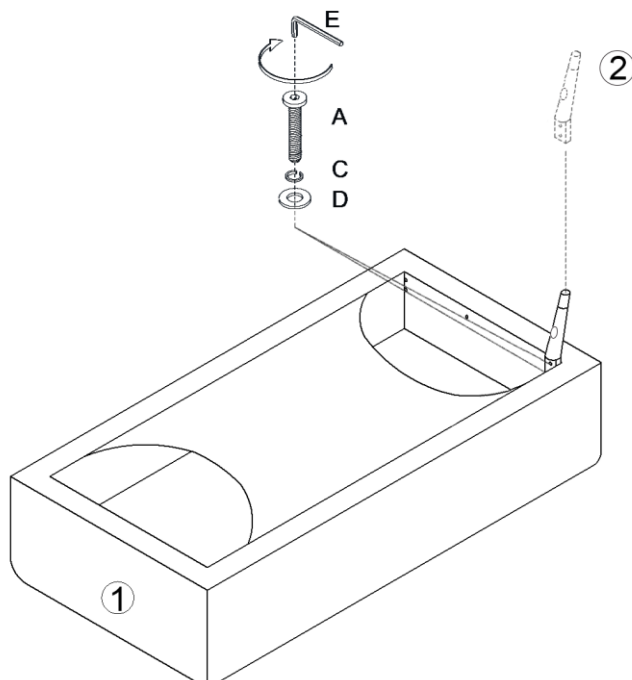
Open the zipper the bottom of the **Bench Body (1)** and take out the 2 pieces of **Leg (2)** and 4 pieces of **Leg Stretcher (3)** & 2 pieces of **Leg (4)** and **hardware** from the legs box.



STEP 2:

Attach 1 piece of **Leg (2)** to the bottom of **Bench Body (1)** by using 2 pieces of **Bolts (A)** with 2 pieces of **Spring Washer (C)** and 2 pieces of **Flat Washer (D)** as shown.

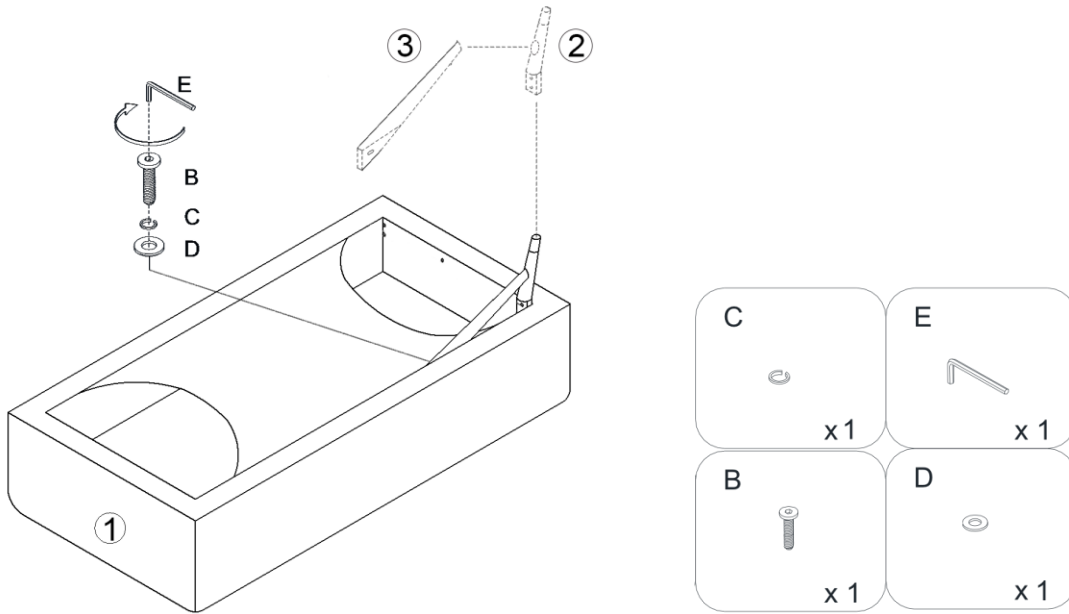
Tighten **Bolts (A)** by using **Allen Wrench (E)** as shown.



Hardware & Tools required

STEP 3:

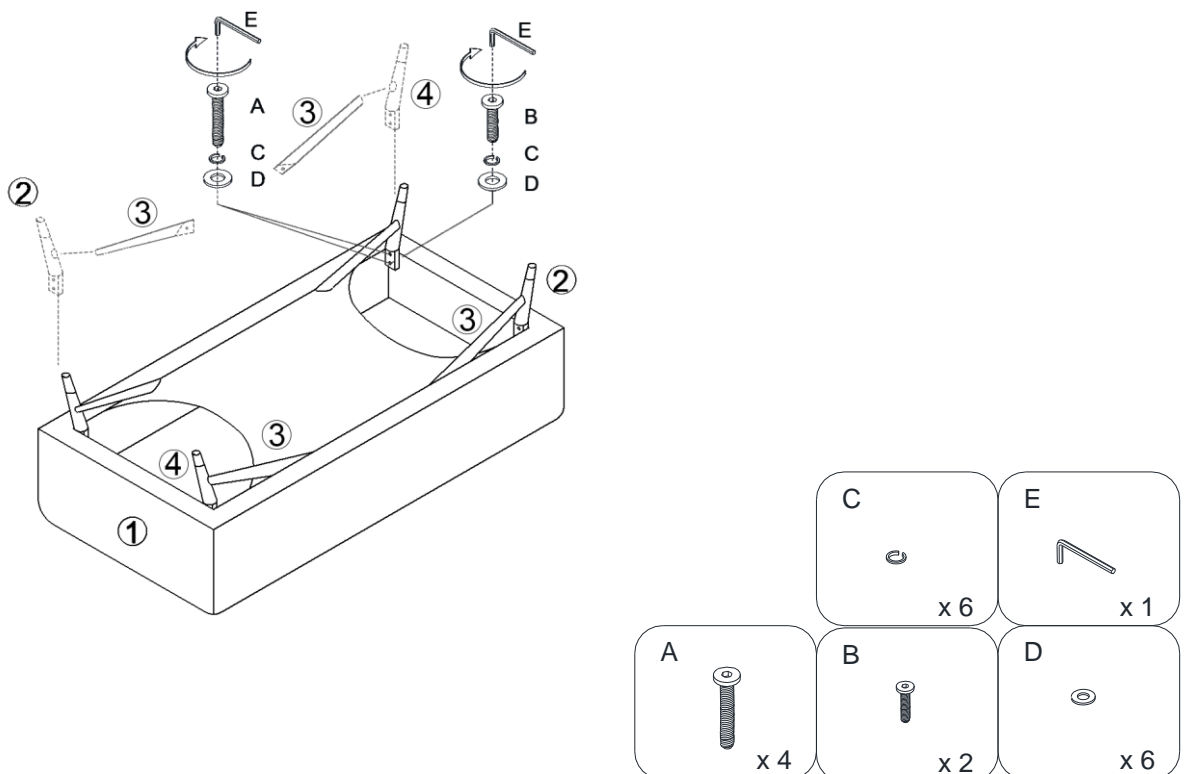
Insert the smaller end of **Leg Stretcher (3)** into the hole of **Leg (2)** and attach the other end of **Leg Stretcher (3)** to the bottom of **Bench Body (1)** by using 1 piece of **Bolts (B)** with 1 piece of **Spring Washer (C)** and 1 piece of **Flat Washer (D)** as shown.



Hardware & Tools required

STEP 4:

Repeat the same steps for other pieces of **Leg (2) & Leg Stretcher (3)** and **Leg (4) & Leg Stretcher (3)**. Place **Legs (2&4)** to the right position as shown.

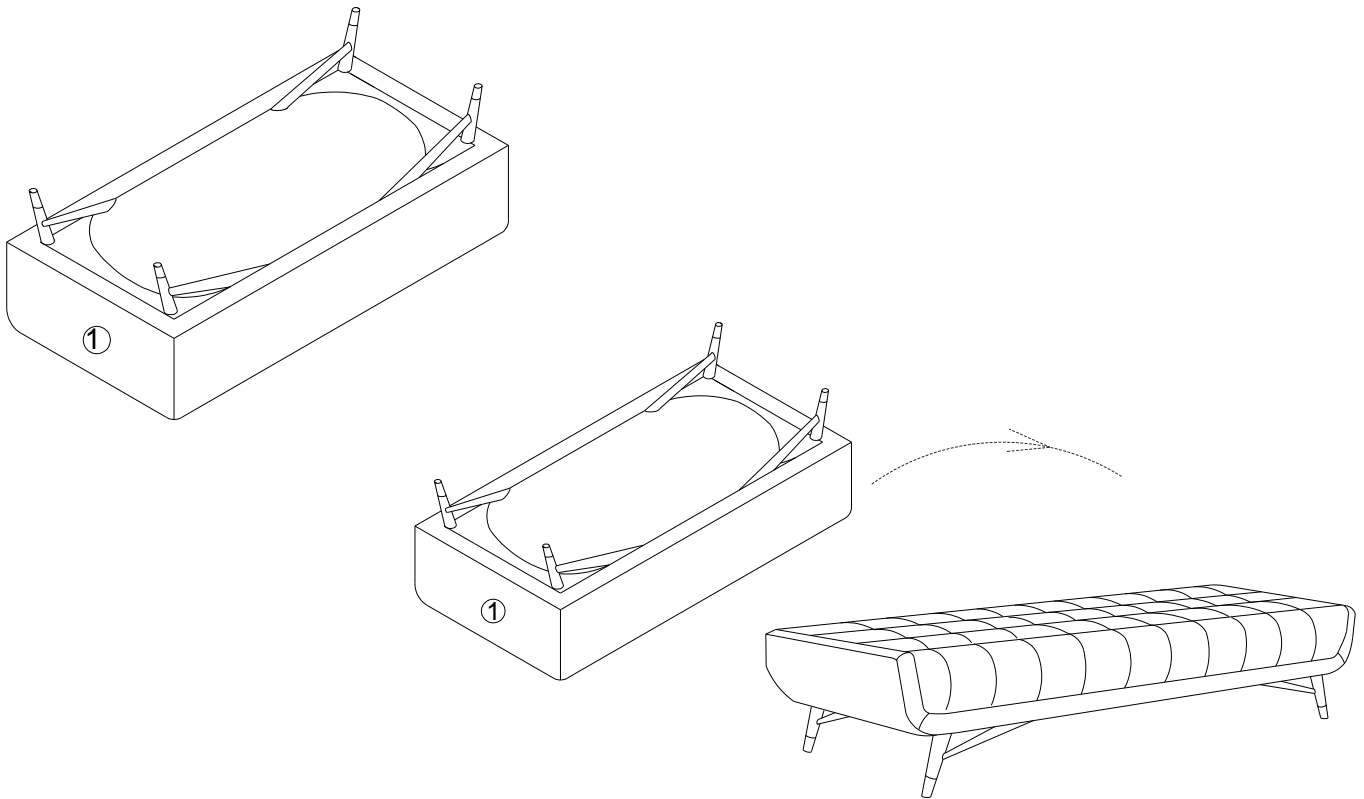


Hardware & Tools required

STEP 5:

Close the zipper on the bottom of the **Bench Body (1)**.

Carefully turn over the assembled **Bench Body (1)** and **Legs (2) & Leg Stretcher (3)** as shown.



Assembly is complete. Your Bench is ready to be used now!