

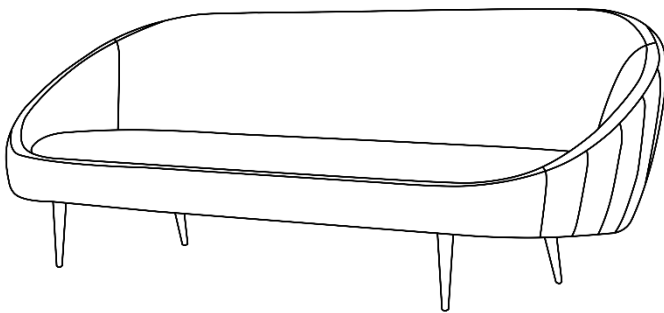
# EEI-3349 SOFA







Thank you for purchasing the **MDOWAY SOFA**.

Before you start, here are some helpful advice:

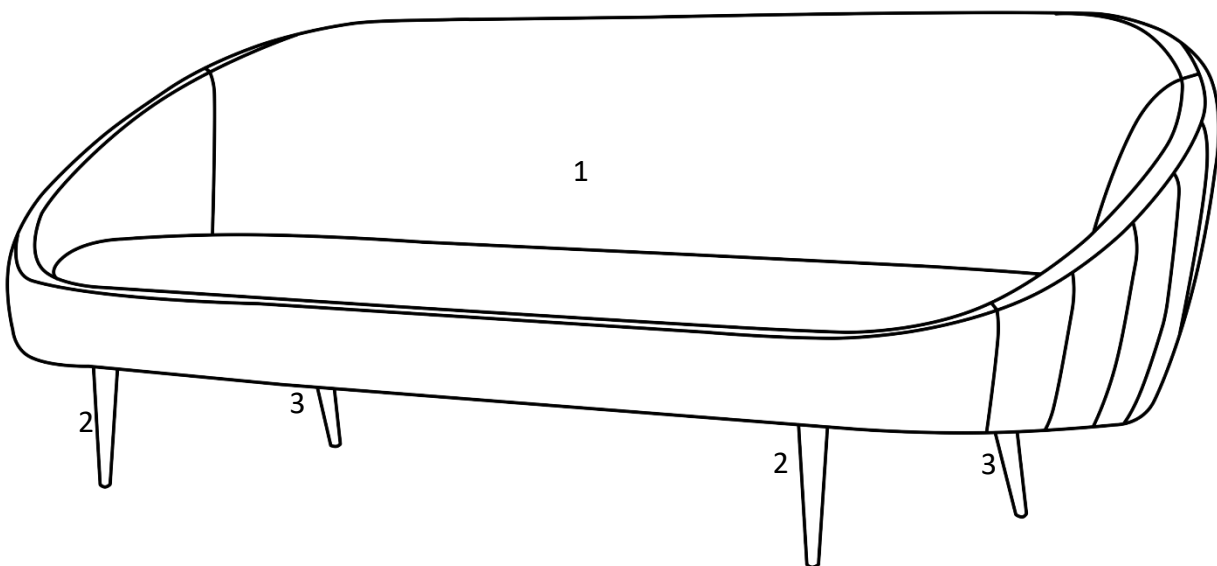
1. We suggest you spend a short time reading through this leaflet and then follow the simple step-by-step instructions.
2. Owing to the size and weight of the sofa, we recommend that it is assembled by two adults, on a carpeted or padded area, in the room that it is intended for. Approximate assembly time: 20 minutes.
3. Please do not use any tools other than those provided or recommended in these instructions.
4. Please do not throw away any of the packaging or the instruction until you have checked all the components and hardware and the furniture is fully assembled. Please ensure that the packaging is disposed of in a safe and environmentally friendly way.
5. Assemble all components loosely until advised to tighten. Depending on use, it may be necessary to tighten the components from time to time, so please save the tools that have been provided.
6. Please keep all pieces out of reach of children.



## Hardware:

- |    |   |                  |     |
|----|---|------------------|-----|
| A. |     | Bolt M8x30mm     | x12 |
| B. |   | Spring Washer M8 | x12 |
| C. |  | Flat Washer M8   | x12 |
| D. |  | Allen Wrench     | x1  |

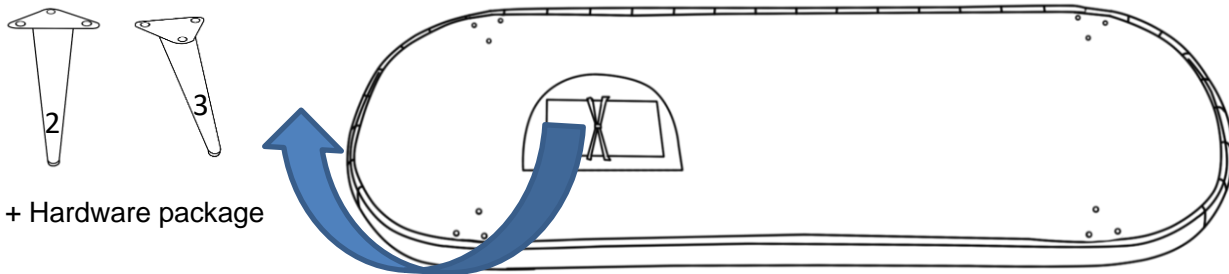
## Components:



- |              |    |              |    |             |    |
|--------------|----|--------------|----|-------------|----|
| 1. Sofa Body | x1 | 2. Front leg | x2 | 3. Back leg | x2 |
|--------------|----|--------------|----|-------------|----|

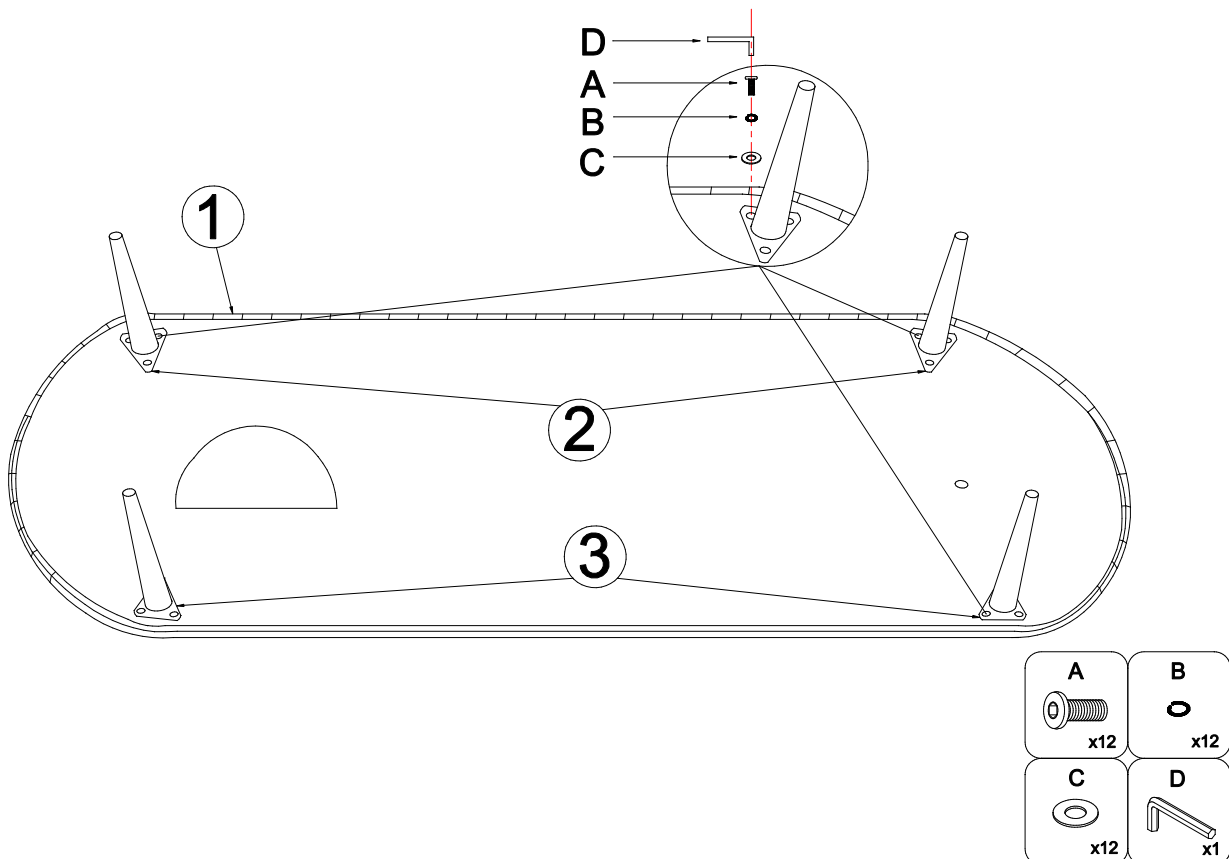
**STEP 1:**

1. Please put **Sofa Body (1)** on a carpeted or padded surface.
2. Open the zipper on the bottom of the **Sofa Body (1)** and take out the 2 pieces of **Front Legs (2)** and 2 pieces of **Back Legs (3)** and hardware package.



**STEP 2:**

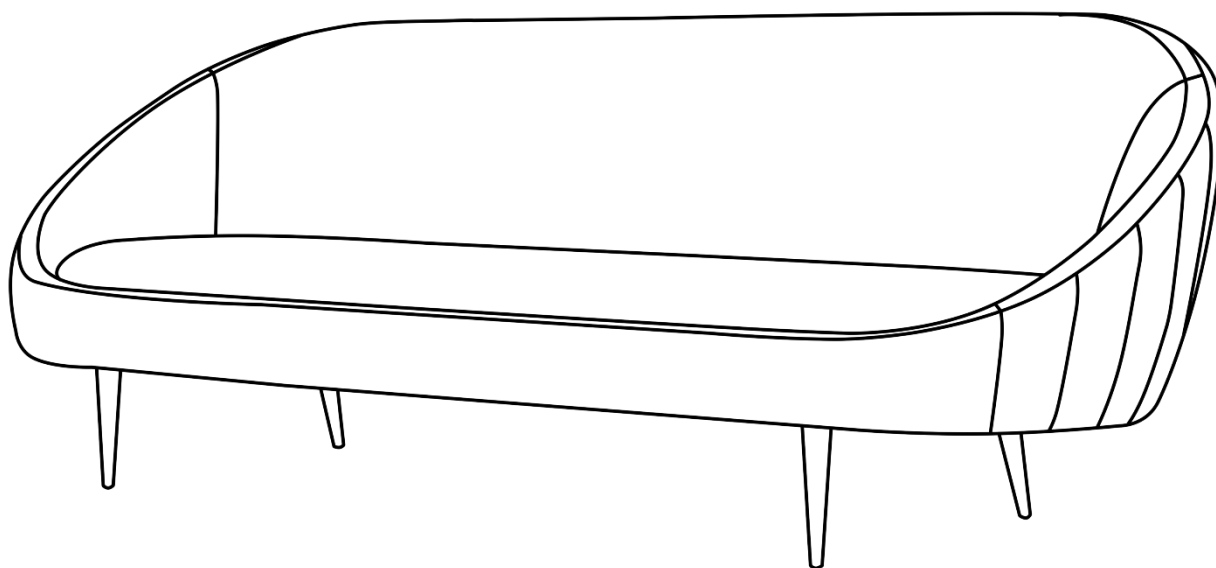
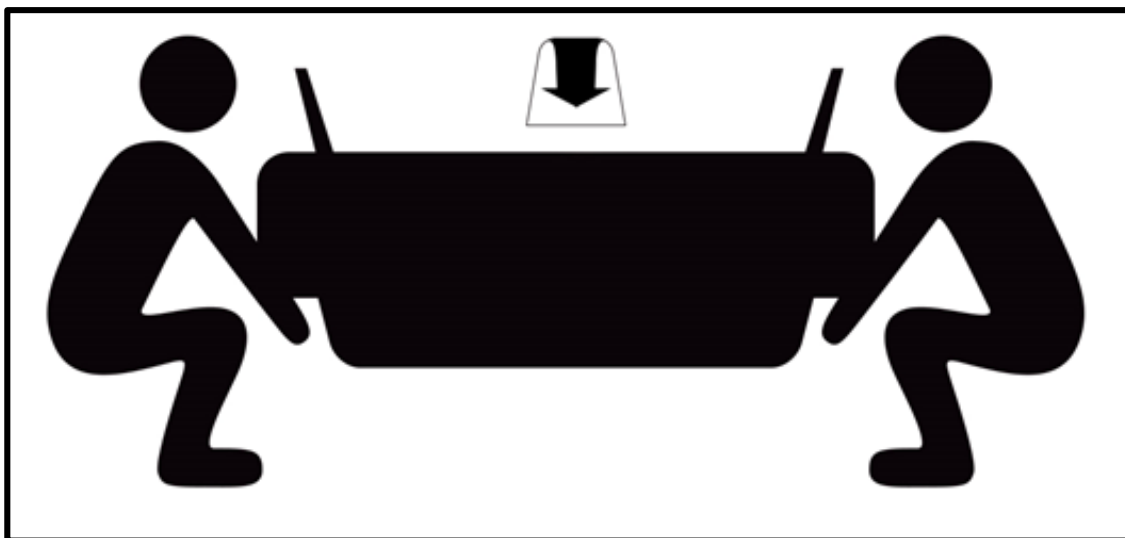
1. Attach 2 pieces of **Front Legs (2)** to the bottom of **Sofa Body (1)** by using 6 pieces of **Bolts (A)**, 6 pieces of **Spring Washers (B)** and 6 pieces of **Flat Washers (C)** by using **Allen Wrench (D)** clockwise fully as shown.
2. Attach 2 pieces of **Back Legs (3)** to the bottom of **Sofa Body (1)** by using 6 pieces of **Bolts (A)**, 6 pieces of **Spring Washers (B)** and 6 pieces of **Flat Washers (C)** by using **Allen Wrench (D)** clockwise fully as shown.



Hardware & Tools Required

## STEP 3:

1. Close the zipper on the bottom of the **Sofa Body (1)**.
2. Carefully turn over the assembled **Sofa Body (1)** and **Legs (2&3)** by two adults as shown.



Assembly is complete. Your Sofa is ready to enjoy now!