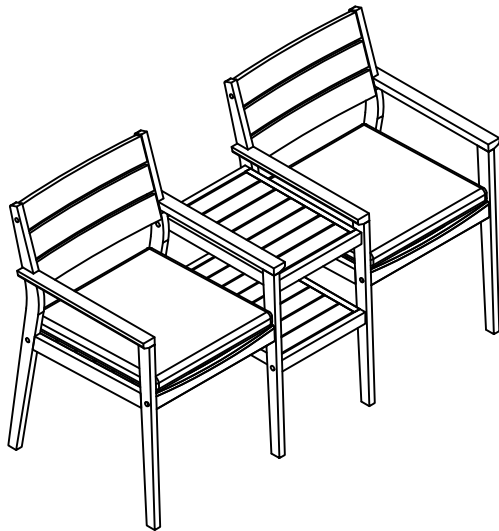


Thank you for purchasing the **MODWAY DINING CHAIR!**

Before you start, here are some helpful advice:

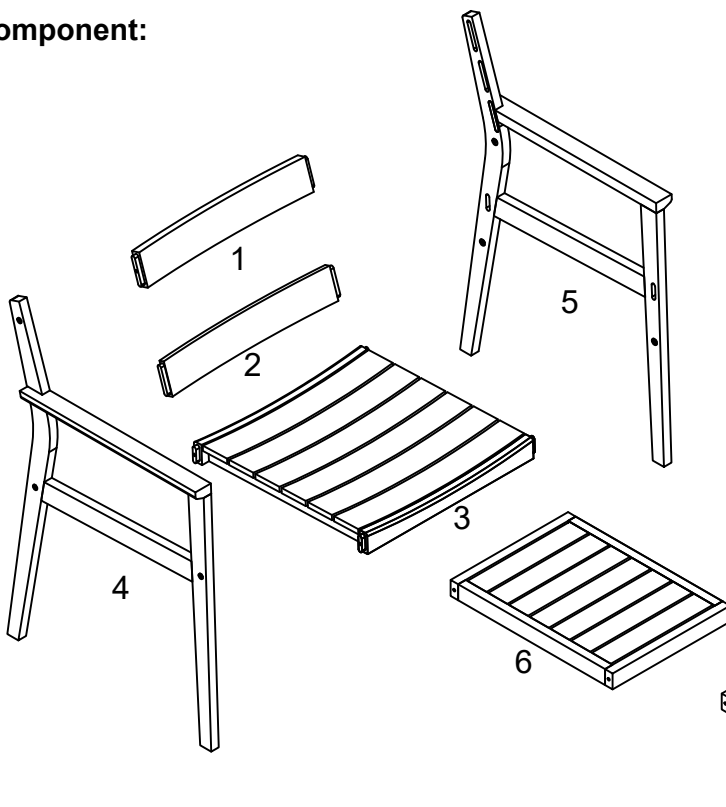
1. We suggest you spend a short time reading through this leaflet and then follow the simple step by step instructions.
2. Owing to the size and weight of the lounge, we recommend that it is assembled by two adults, on a carpeted or padded area, in the room that it is intended for. Approximate assembly time: 30 minutes.
3. Please do not use any tools other than those provided or recommended in these instructions.
4. Please do not throw away any of the packaging or instructions until you have checked all the components and hardware and the furniture is fully assembled.
5. Assemble all components loosely until advised to tighten. Depending on use, it may be necessary to tighten the components from time to time, so please save the tools that have been provided.
6. Please keep all pieces out of reach of small children.



### Hardware:

A		Bolt M6x90mm	x 8
B		Nuts M6	x 8
C		Screw M6x50mm	x 12
D		Allen Wrench M4	x 2

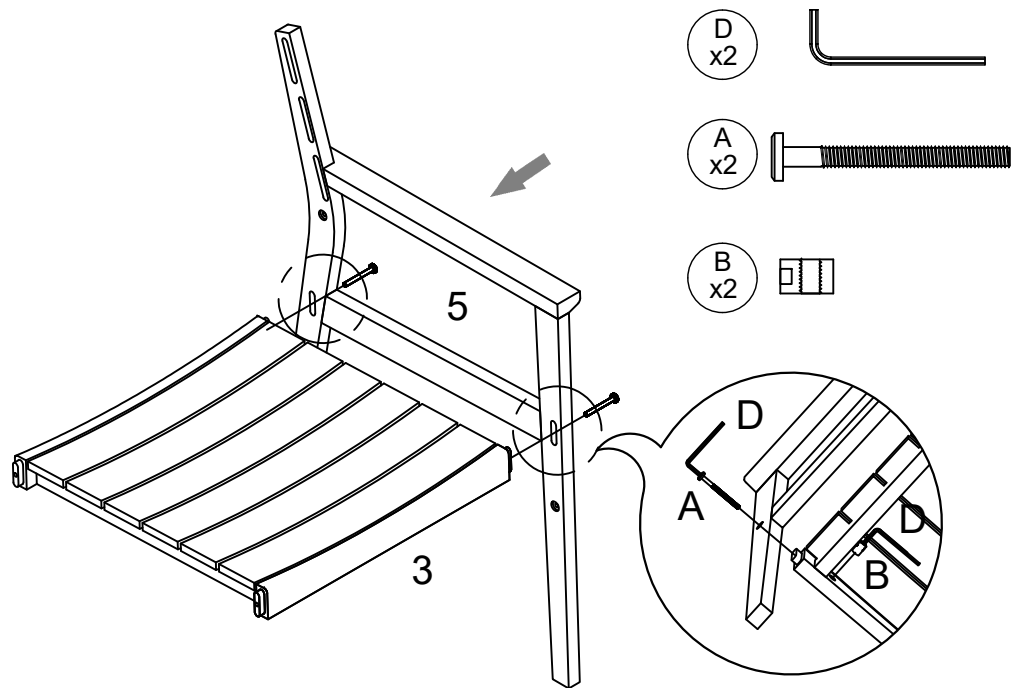
### Component:



1. Top Back	x2
2. Back Slat	x4
3. Base	x2
4. Legs Frame Outside	x2
5. Legs Frame Inside	x2
6. Upper Tray	x1
7. Lower Tray	x1
8. Cushion	x2

## STEP 1:

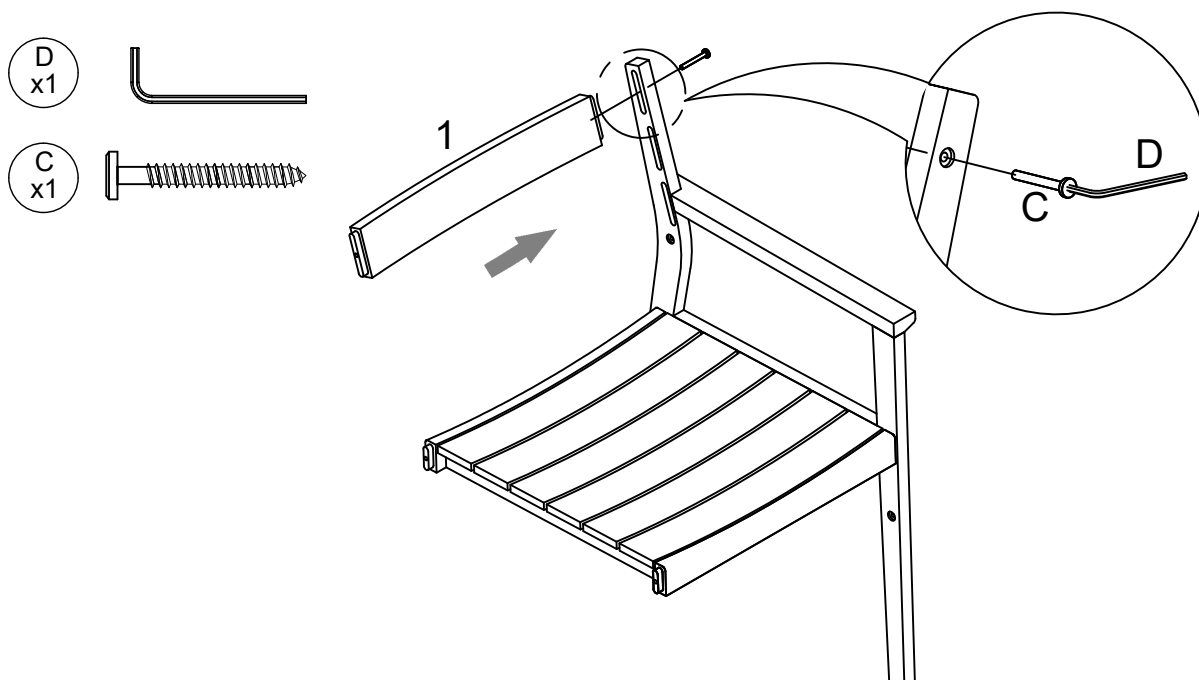
Please assemble **Legs Frame (4)** first and connect it with the **Base (3)**.  
Insert **Bolt (A)** and **Nuts (B)** to tighten the **Legs Frame (4)**, tighten using **Allen Wrench (D)**.



Hardware & Tool required

## STEP 2:

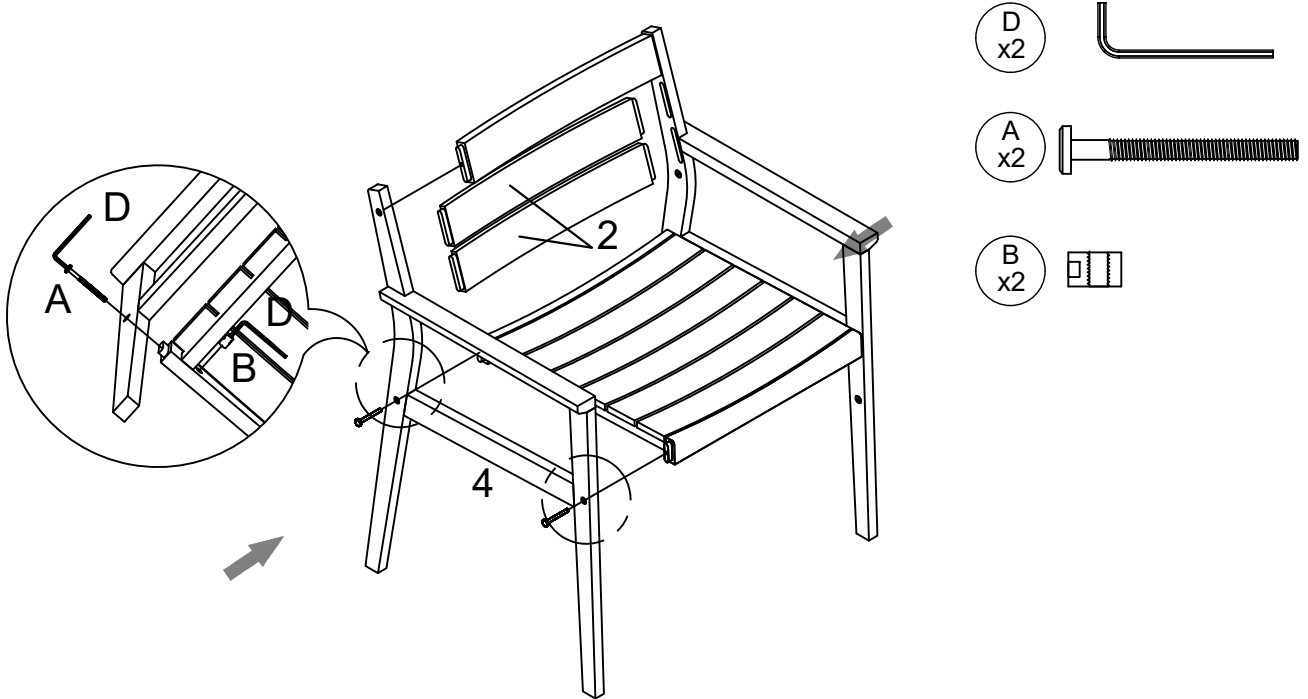
Please assemble **Back Top (1)** and connect it with the **Legs Frame (4)**.  
Insert **Screw (C)** to tighten the **Back Top (1)**, tighten using **Allen Wrench (D)**.



Hardware & Tool required

## STEP 3:

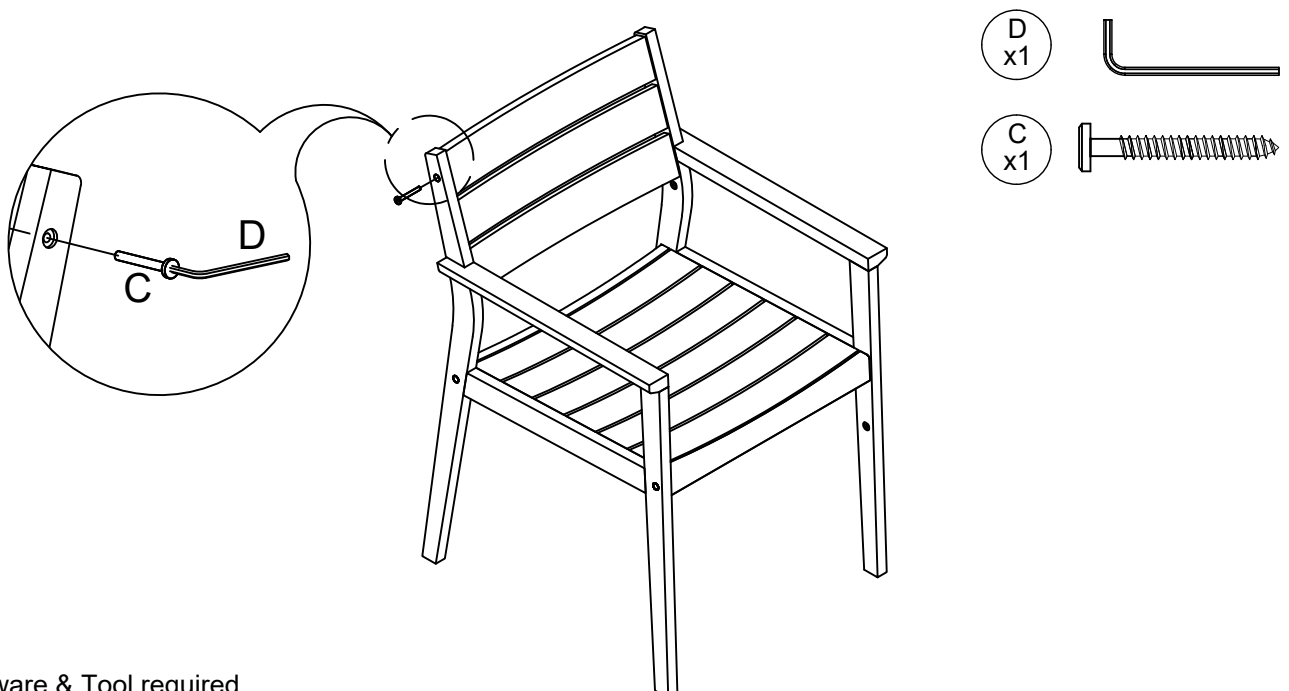
Please assemble **Back Slat (2)** and connect it with the **Legs Frame (4)**.  
Insert **Bolt (A)** and **Nuts (B)** to tighten the **Legs Frame (4)**, tighten using **Allen Wrench (D)**.



Hardware & Tool required

## STEP 4:

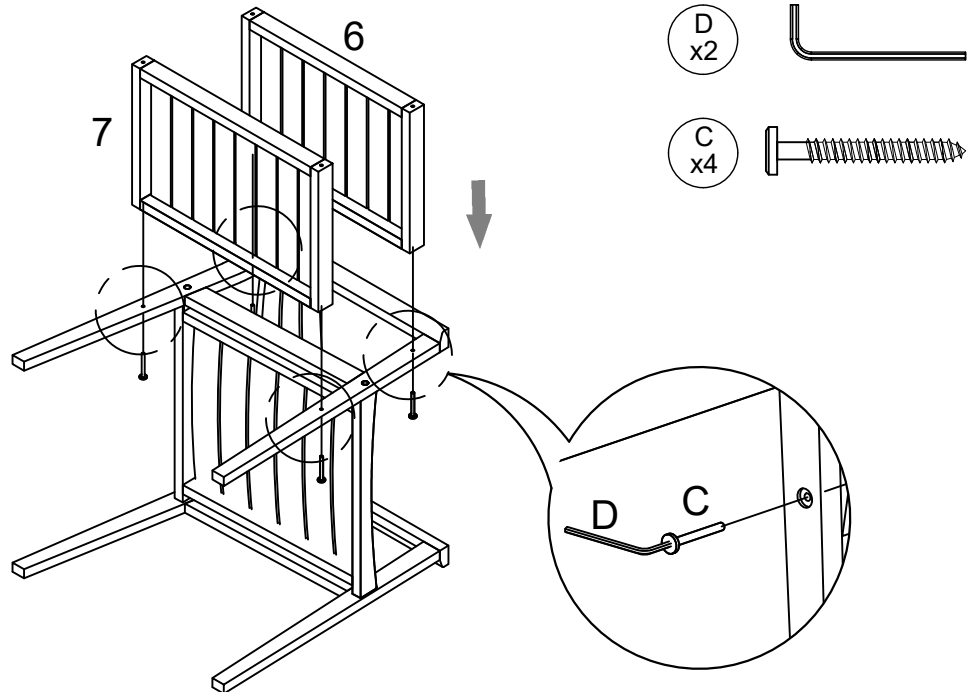
Insert **Screw (C)** to tighten the **Legs Frame (4)**, tighten using **Allen Wrench (D)**.



Hardware & Tool required

## STEP 1:

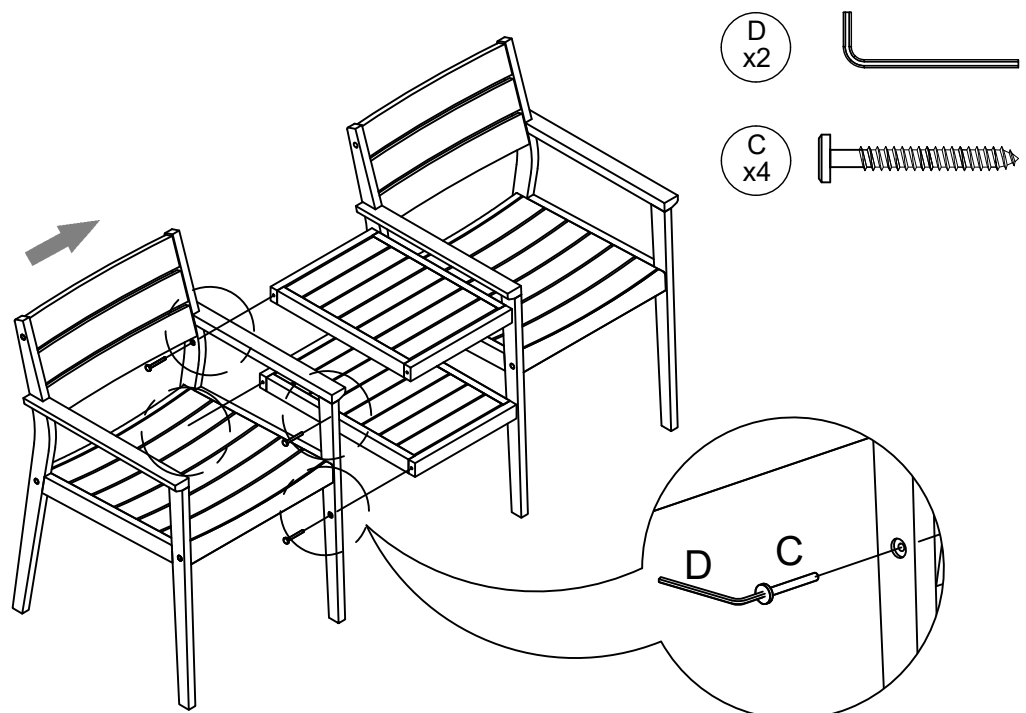
Please assemble **Upper Tray (6)**, **Lower Tray (7)** and connect it with the **Chair**.  
Insert **Screw (C)** to tighten the **Legs Frame Inside (5)**, tighten using **Allen Wrench (D)**.



Hardware & Tool required

## STEP 2:

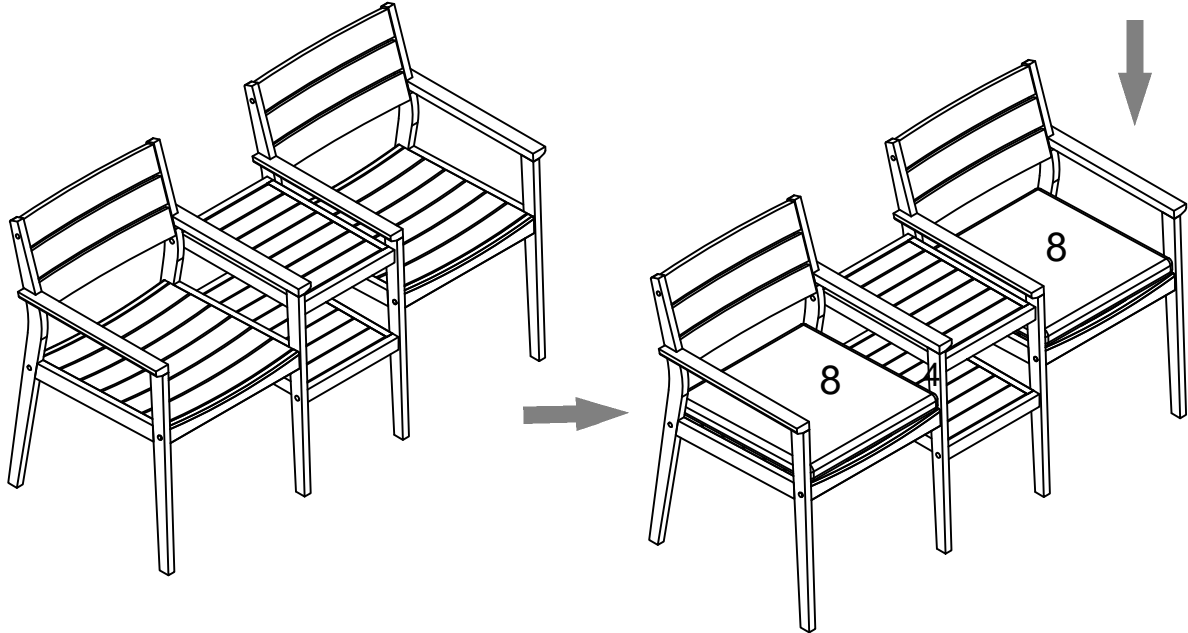
Please assemble the **Chair** and connect it with the **Tray**.  
Insert **Screw (C)** to tighten the **Legs Frame Inside (5)**, tighten using **Allen Wrench (D)**.



Hardware & Tool required

## STEP 3:

Carefully position the assembled chair to the desired location.  
Put Cushion (8) into the assembled lounger as shown.



Assembly is complete. Your lounger is ready to be used now!