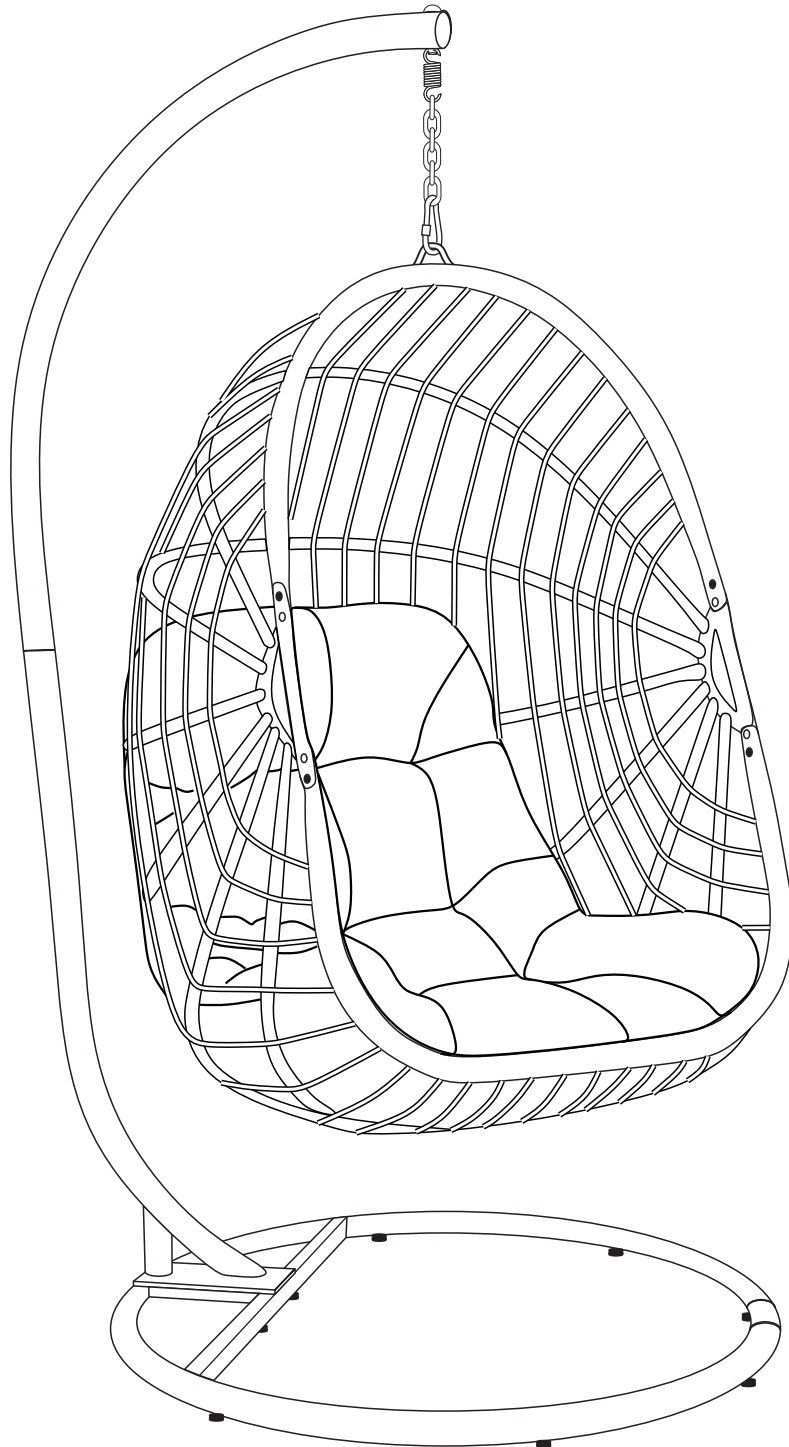


ASSEMBLY INSTRUCTIONS

EEI-6261

V1.05.26.23



Questions? Contact us!

609.256.9000 • cs@modway.com
www.modway.com

*modway

Let's get started!

*modway



Read through all of the instructions before starting



Care instructions are listed in the last step of this manual



Approx. 30 minutes assembly time



Make sure you have all parts and components before discarding any packing materials



2 people recommended for assembly

Only use hand tools to assemble this item. Do not use power tools. Do not tighten bolts or screws completely until all hardware is lined up and inserted into the holes.

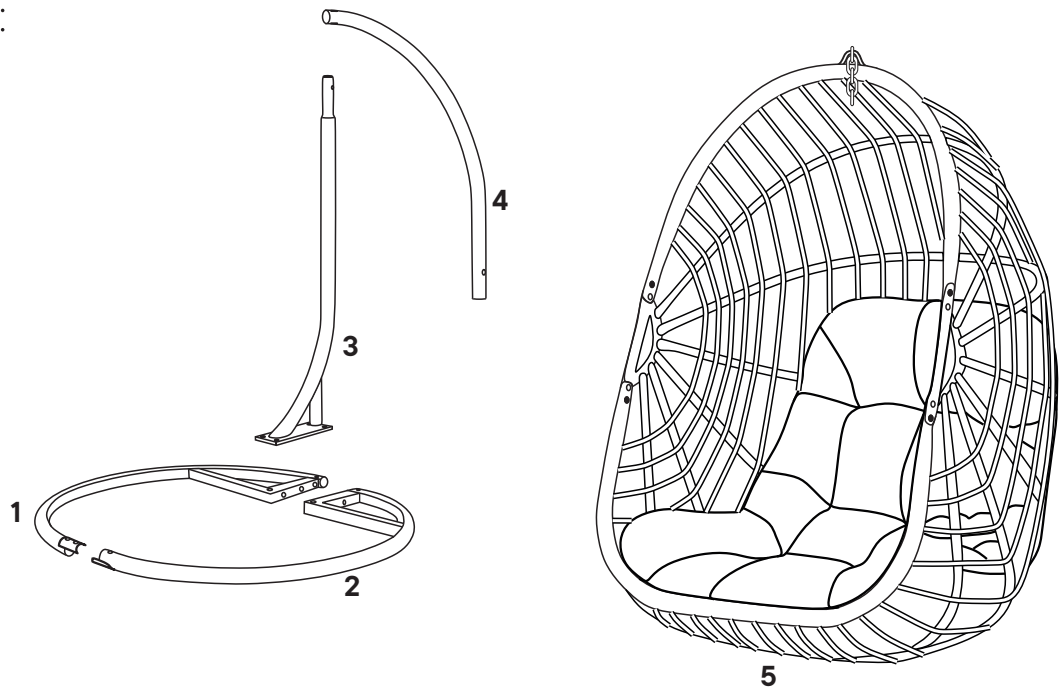
Do not over-tighten screws and bolts to avoid stripping the hardware or cracking the item.

Assemble your item on a flat, carpeted area, with plenty of space to work. This will prevent damage and scratches to your floors or the item while you're assembling the product.

Keep all components and packaging out of reach of children or animals to avoid risk of choking or suffocation.

Furniture components:

1	Left Base	x1
2	Right Base	x1
3	Lower Stand	x1
4	Upper Stand	x1
5	Folding Basket	x1



Provided hardware:

A		Bolt/Nut M10x55mm	x1	J		Open Wrench	x1
B		Bolt/Nut M10x60mm	x4				
C		Bolt/Nut M10x20mm	x3				
D		Screw Set M6x30mm	x2				
E		Leveller	x10				
F		Screw Set M6x15mm	x4				
G		Spring	x1				
H		Spring Pin	x1				
I		Allen Wrench	x1				

What you need:

Philips Head Screwdriver

Wait!

Missing parts or hardware? Need assistance?
Contact us before returning your item. We're here to help!
609.256.9000 • cs@modway.com

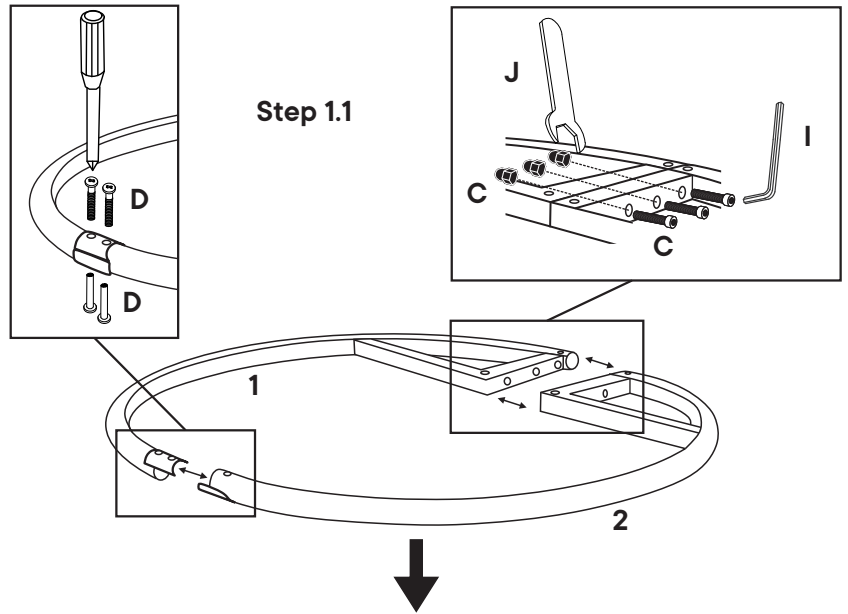
Step 1

COMPONENTS

- ① Left Base x1
- ② Right Base x1

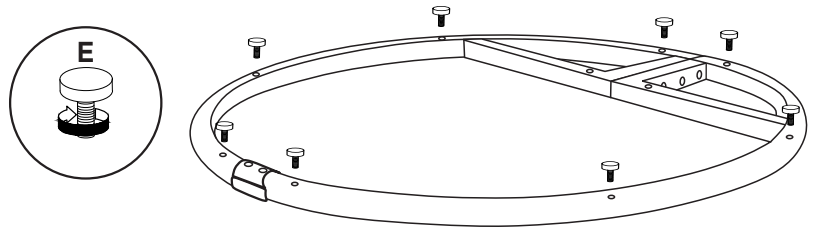
HARDWARE

- ⓐ Bolt/Nut M10x20mm x3
- ⓔ Leveller x10
- ⓓ Screw Set M6x30mm x2
- ⓞ Allen Wrench x1
- ⓙ Open Wrench x1



Step 1.2

Bottom View



Step 2

COMPONENTS

- ① Left Base x1
- ② Right Base x1
- ③ Lower Stand x1
- ④ Upper Stand x1

HARDWARE

- ⓐ Bolt/Nut M10x55mm x1
- ⓑ Bolt/Nut M10x60mm x4
- ⓖ Spring x1
- ⓗ Spring Pin x1
- ⓞ Allen Wrench x1
- ⓙ Open Wrench x1

