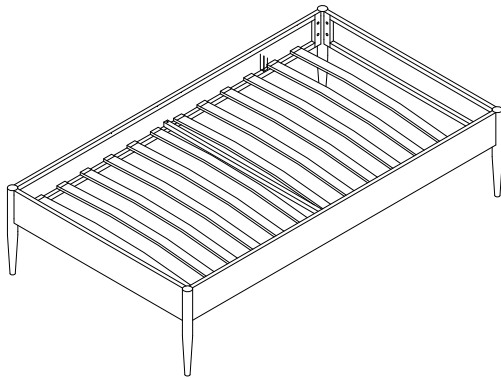



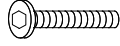



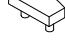

Thank you for purchasing the **MODWAY TWIN BED FRAME!**

Before you start, here is some helpful advice:

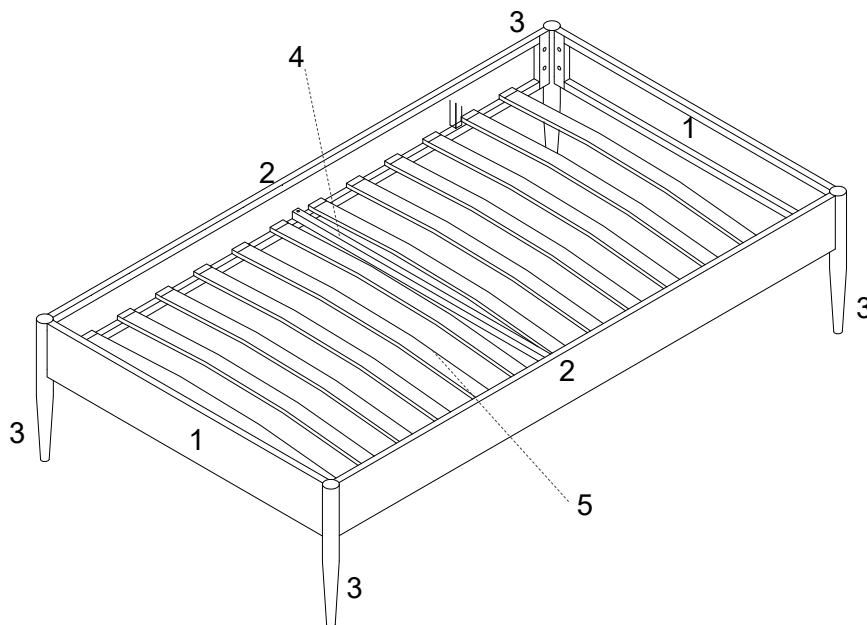
1. We suggest you spend a short time reading through this leaflet and then follow the simple step by step instructions.
2. Owing to the size and weight of the bed frame, we recommend that it is assembled by two adults, on a carpeted or padded area, in the room that it is intended for. Approx assembly time: 30 minutes.
3. Please do not use any tools other than those provided or recommended in these instructions.
4. Please do not throw away any of the packaging or the instruction until you have checked all the components and hardware and the furniture is fully assembled. Please ensure that the packaging is disposed of in a safe environmentally friendly way.
5. Assemble all components loosely until advised to tighten. Depending on use, it may be necessary to tighten the components from time to time, so please save the tools that has been provided.
6. Please keep all fitting out of reach of children.



Hardware:

| | | | |
|---|--|--------------------|-----|
| A |  | Bolt M8x20mm | x16 |
| B |  | Bolt M6x45mm | x2 |
| C |  | Nut M6 | x2 |
| D |  | Allen Wrench M8 | x1 |
| E |  | Open Wrench | x1 |
| F |  | Side Plastic Cover | x24 |
| G |  | Allen Wrench M6 | x1 |

Component:



| | | | | | | | | |
|---|-------------|----|---|------------|-----|---|-----|----|
| 1 | Short Board | x2 | 2 | Long Board | x2 | 3 | Leg | x4 |
| 4 | Stretcher | x1 | 5 | Slat | x12 | | | |

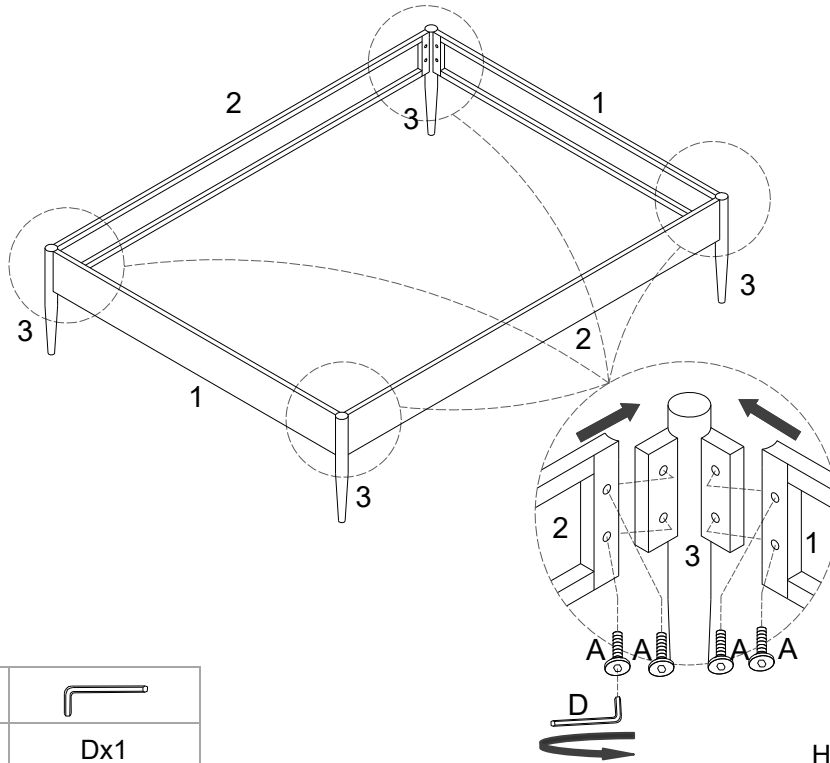
STEP 1:

Inert the end of **Leg (3)** into **Short Board (1)** and **Long Board (2)** as shown.

Secure by using 4 pieces of **Bolt (A)**, do not fully tighten **Bolts (A)** by using **Allen Wrench (D)** at this step.

Repeat the same steps for the remaining 3 pieces of **Leg (3)**.

Tighten all **Bolts (A)** by using **Allen Wrench (D)** clockwise until secure.



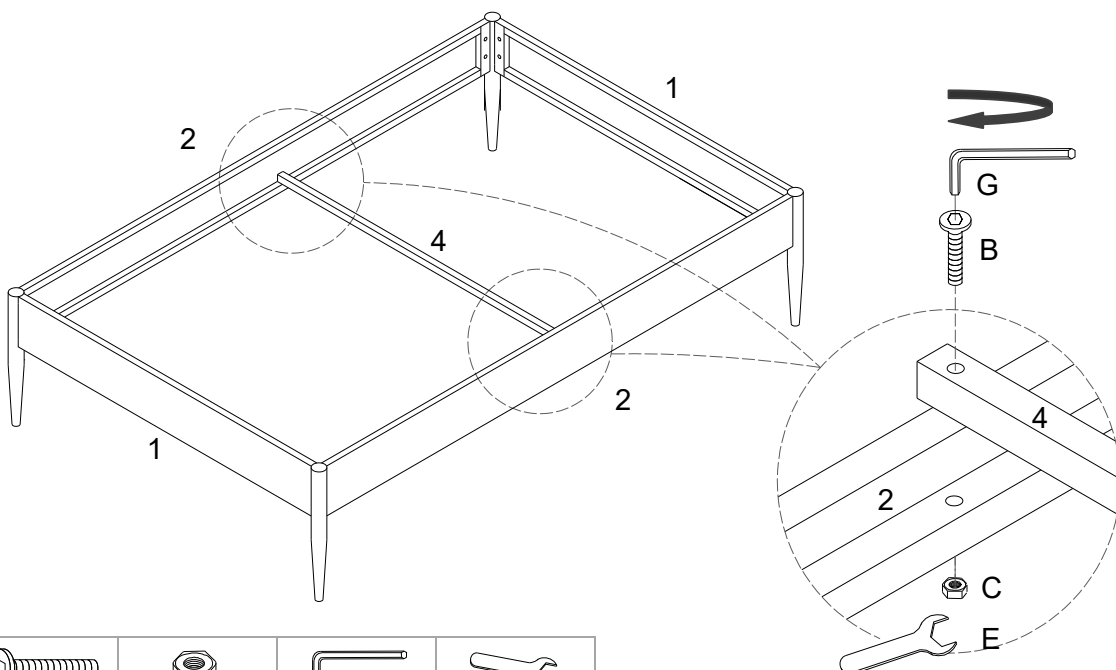
Hardware & Tool required

STEP 2:

Place **Stretcher (4)** to the assembled **Long Board (2)** as shown.

Secure by using 2 pieces of **Bolt (B)** and 2 pieces of **Nut (C)** as shown.

Tighten **Bolts (B)** by using **Allen Wrench (G)** clockwise until secure.



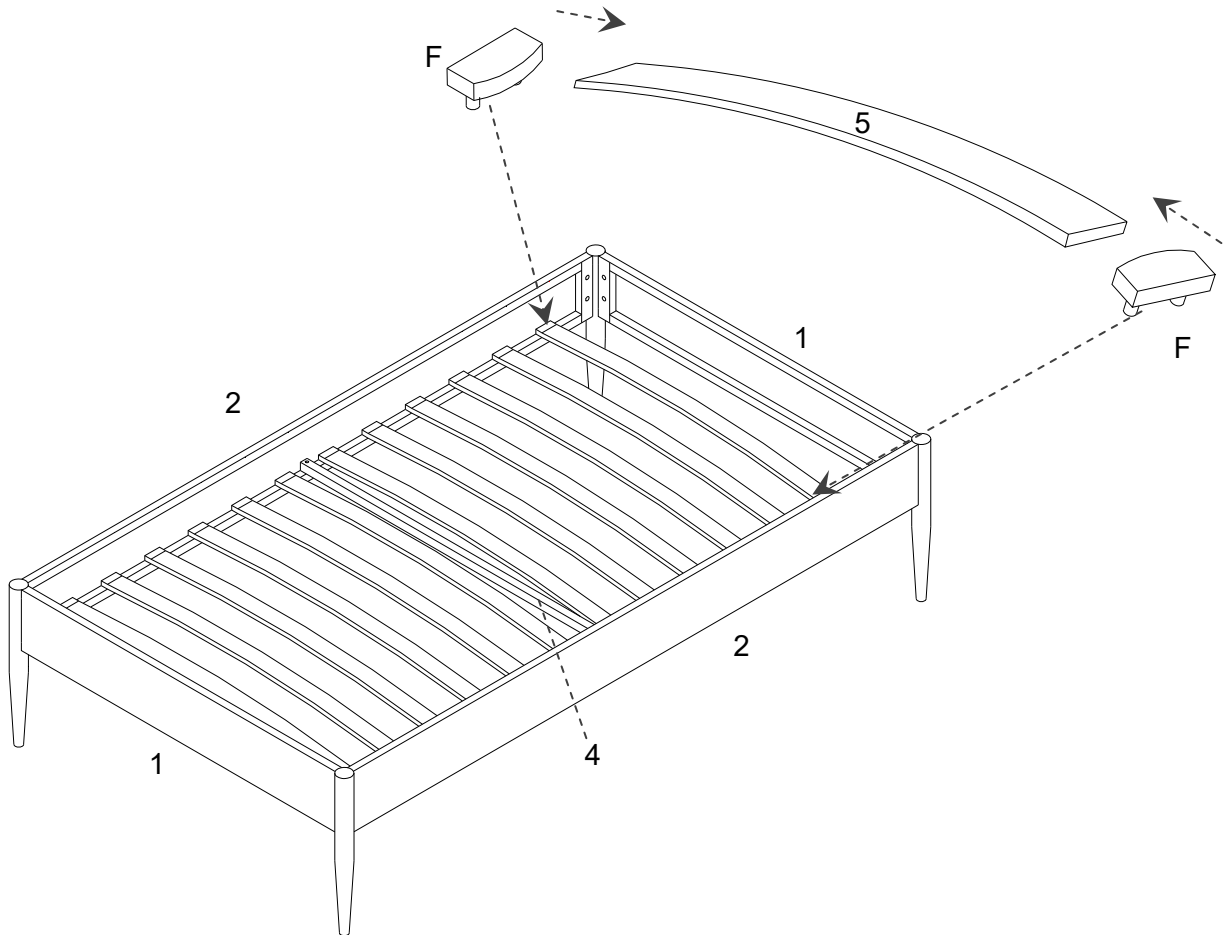
Hardware & Tool required

STEP 3:

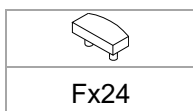
Insert 2 piece of **Side Plastic Cover (F)** into each end of **Slat (5)** as shown.

Insert the assembled **Side Plastic Covers (F)** into the corresponding holes on **Long Board (2)** as shown.

Repeat the same steps for the remaining 11 pieces **Slat (5)**.



Assembly is complete. Your bed frame is ready to be enjoyed now!



Hardware & Tool required